

# Technical drawings

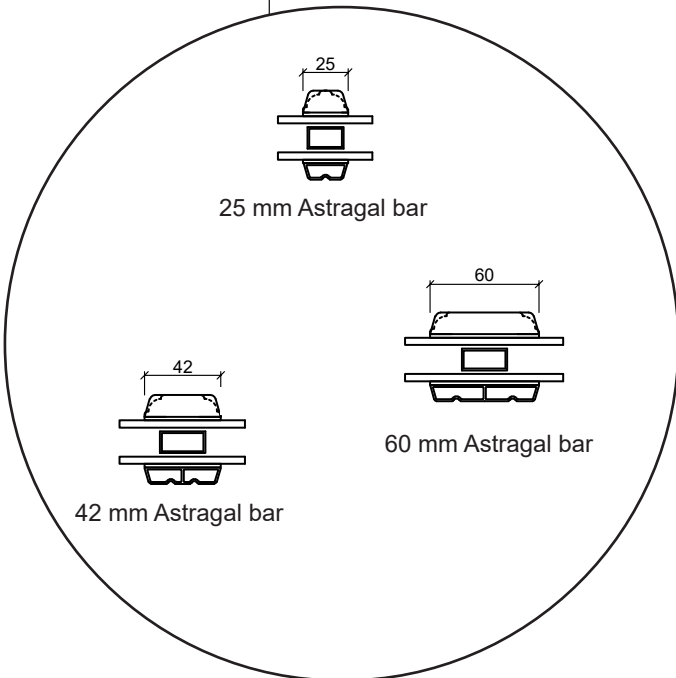
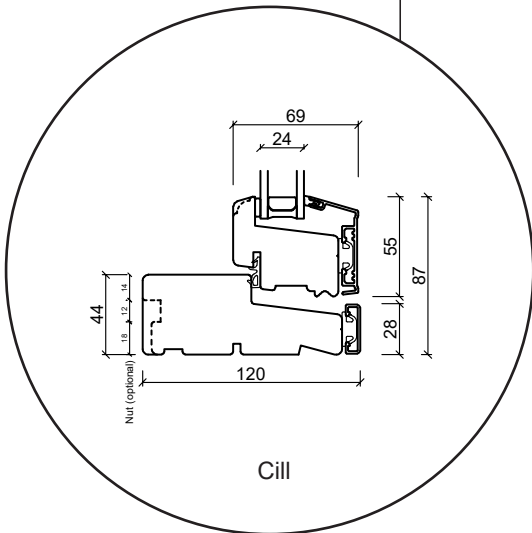
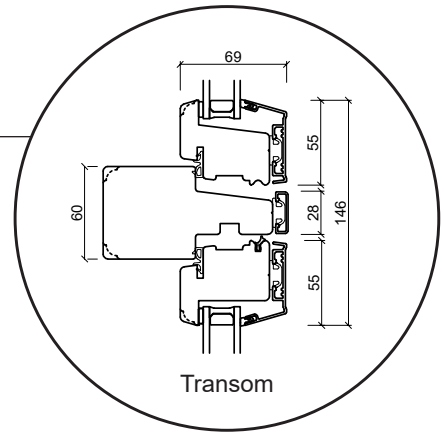
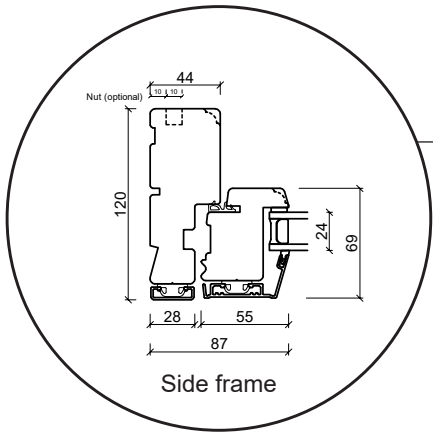
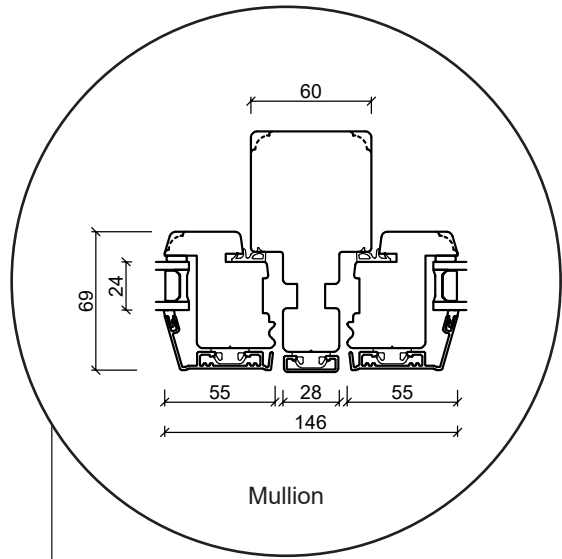
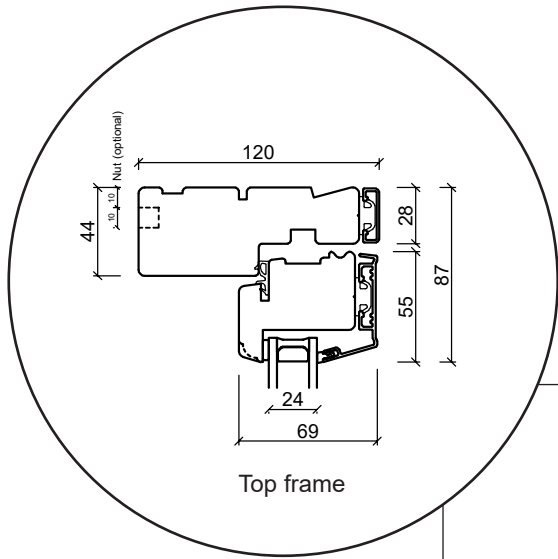
Alu-clad wood, double glazing - 110mm Frame depth



**SPAR**WINDOWS

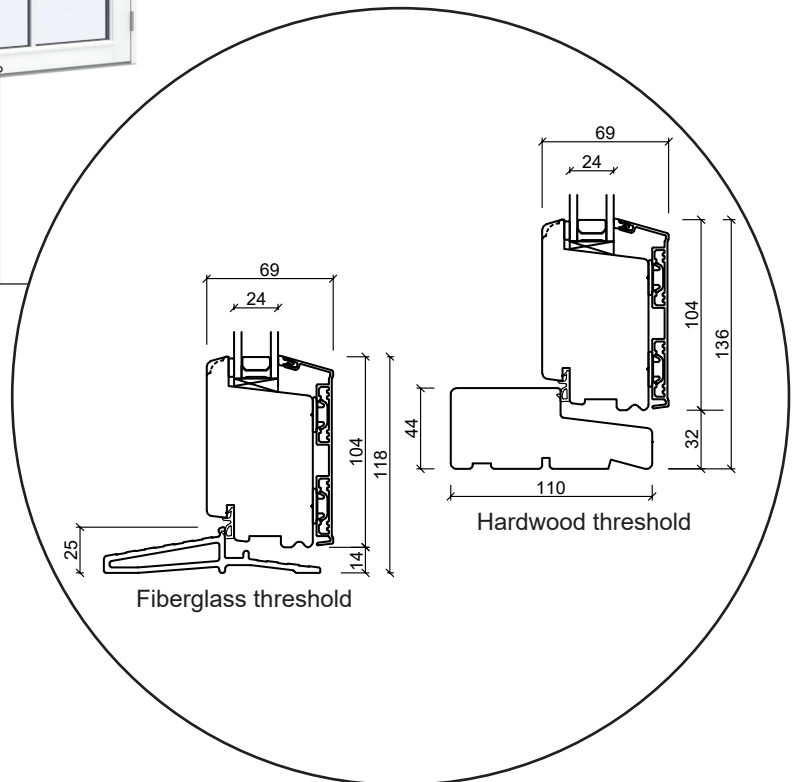
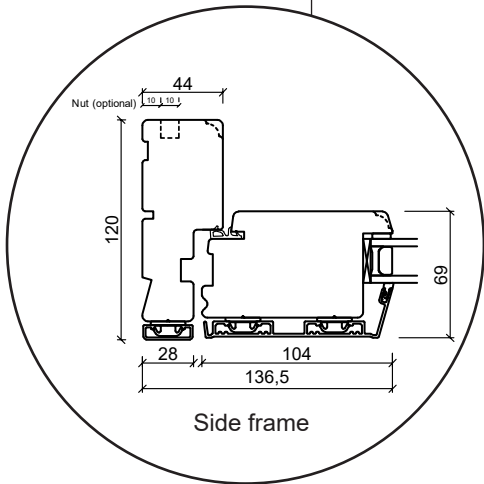
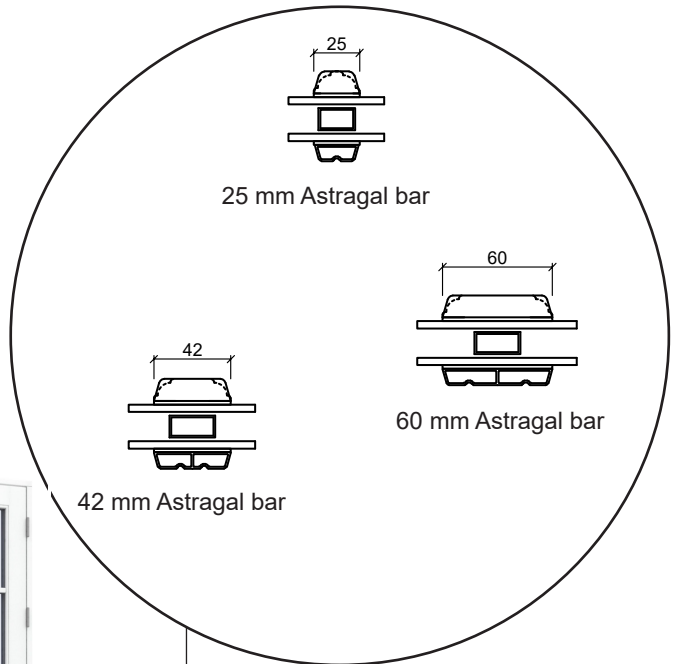
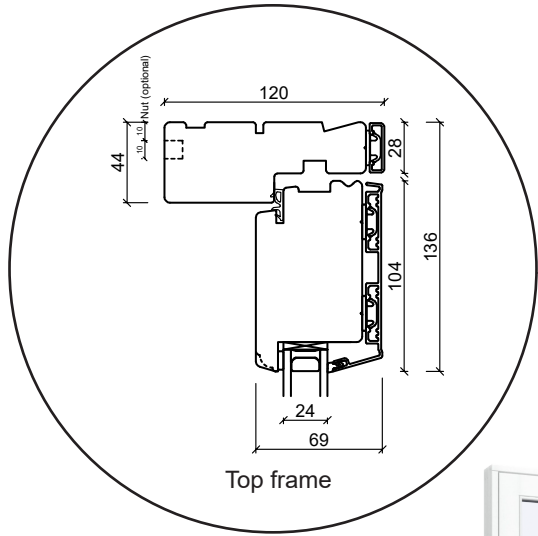
# Window

Double glazing, 110mm frame depth, alu-clad wood



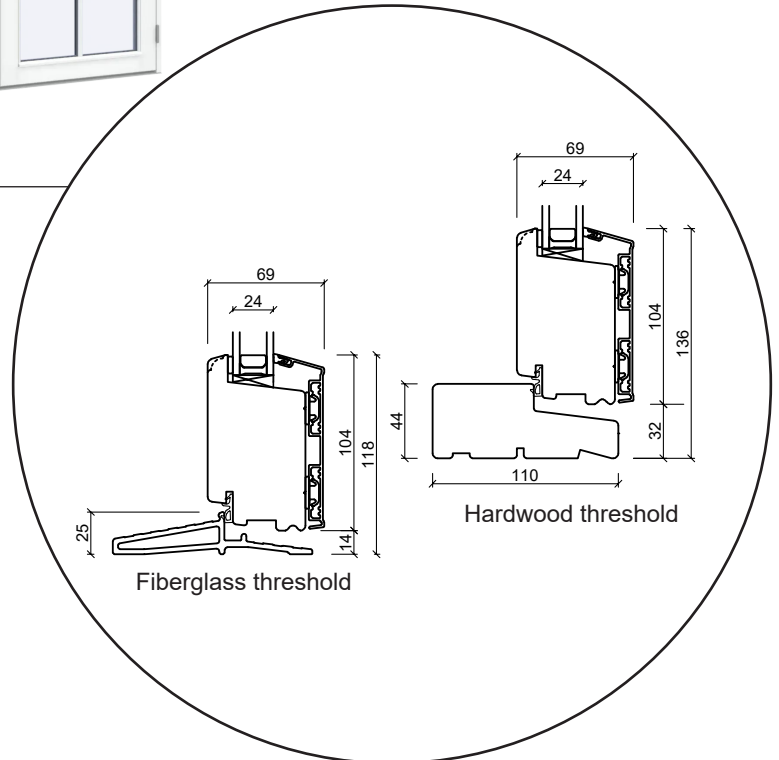
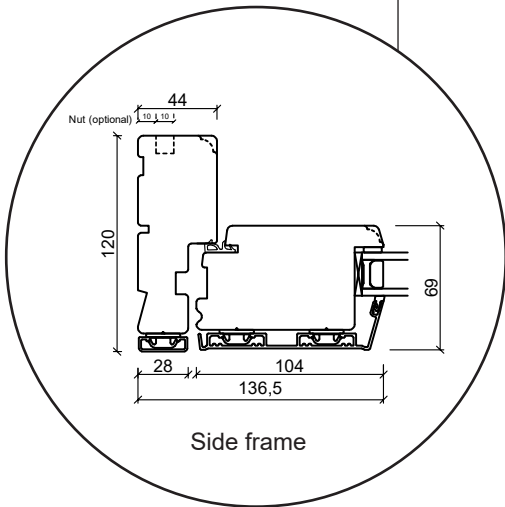
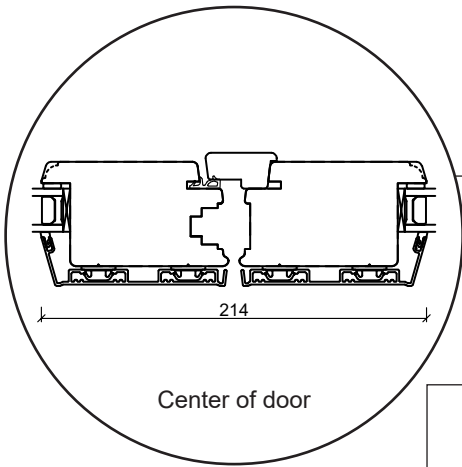
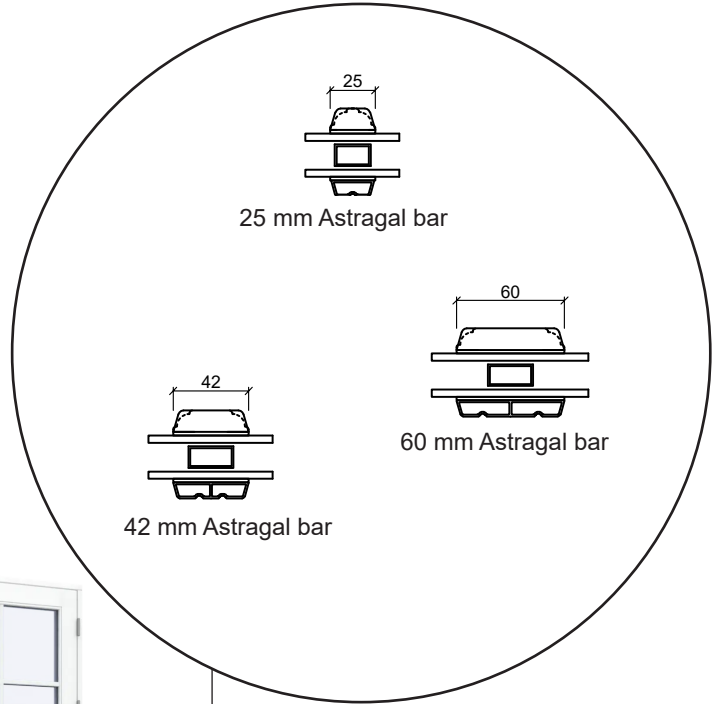
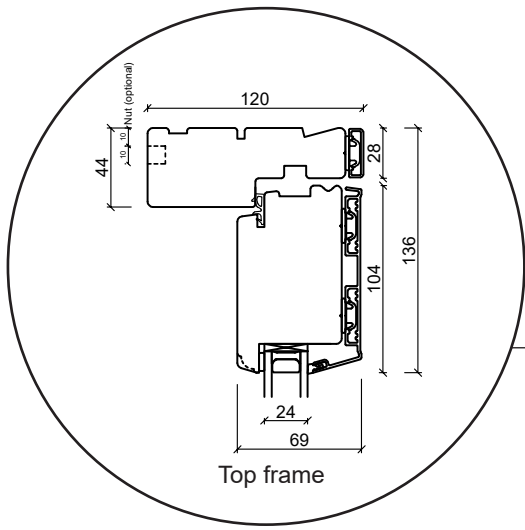
# Patio door, outward-opening

Double glazing, 110mm frame depth, alu-clad wood



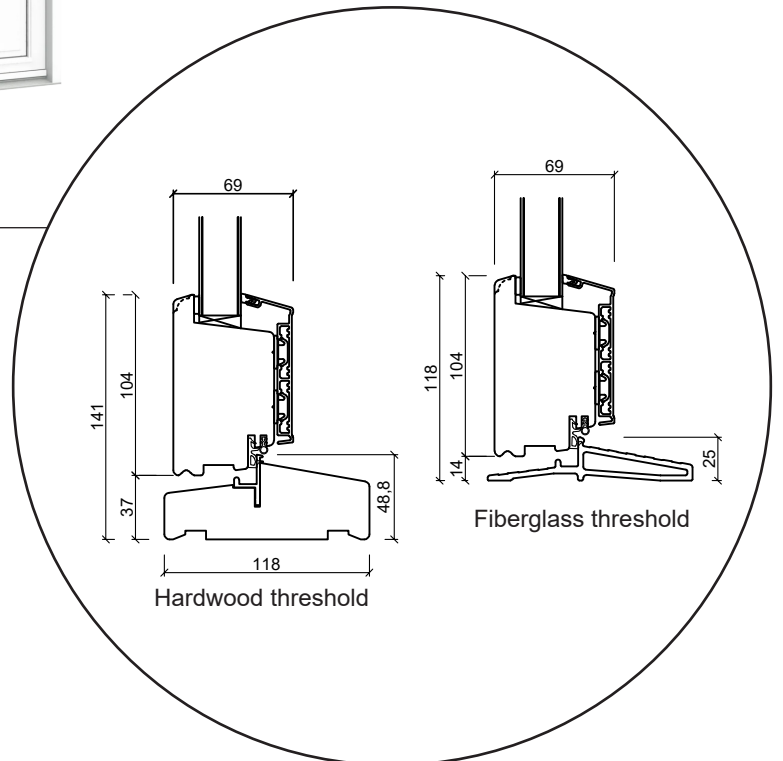
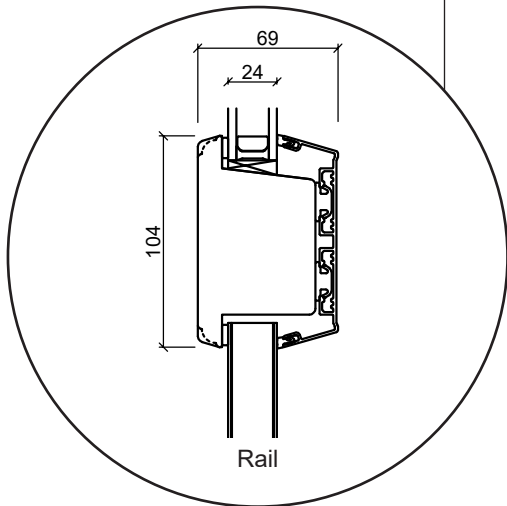
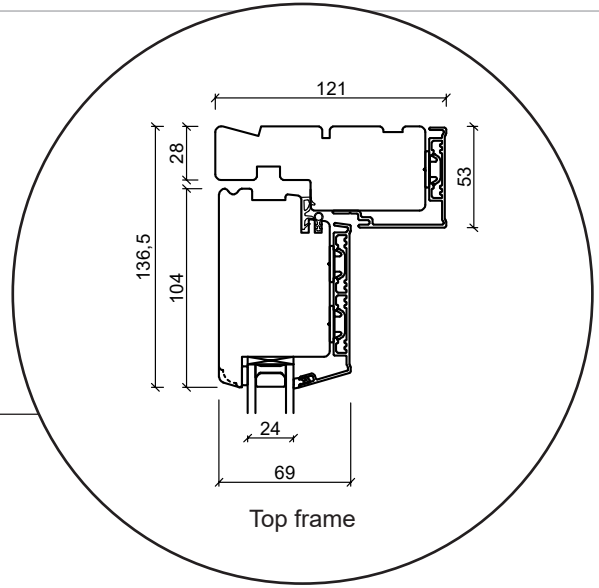
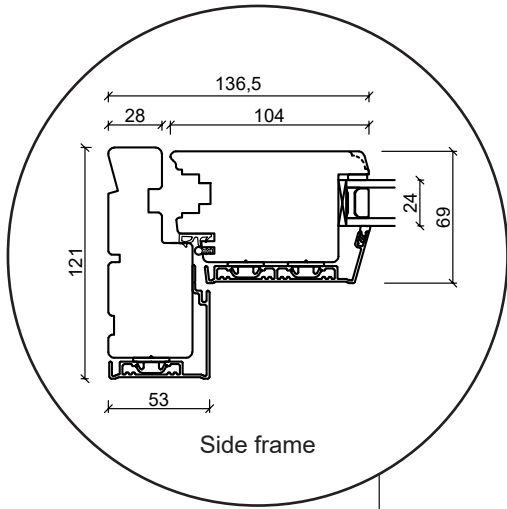
# French door, outward-opening

Double glazing, 110mm frame depth, alu-clad wood



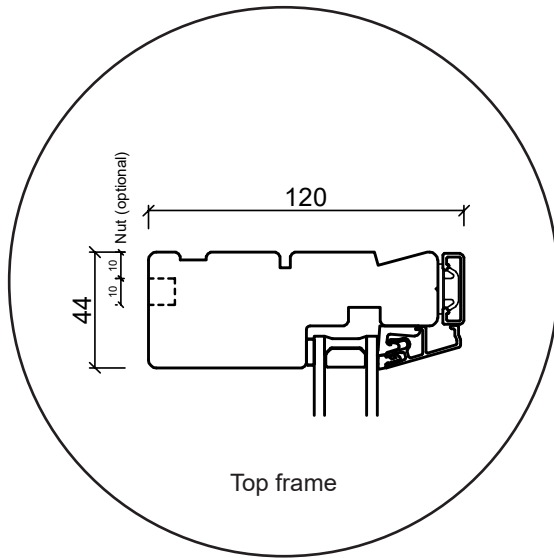
# Front door, inward-opening

Double glazing, 110mm frame depth, alu-clad wood

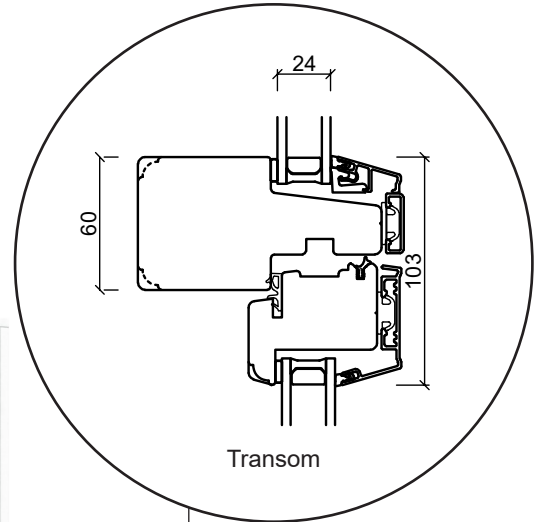


# Conservatory window

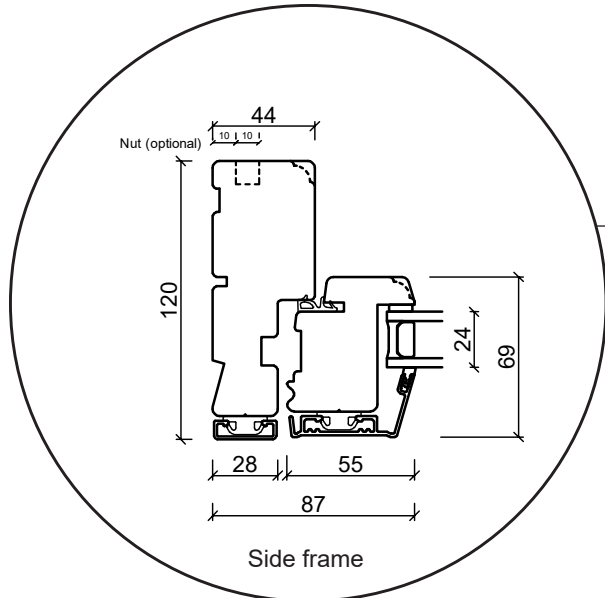
Double glazing, 110mm frame depth, alu-clad wood



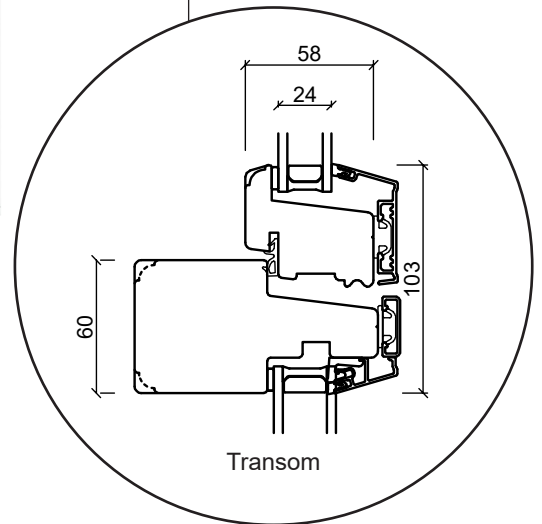
Top frame



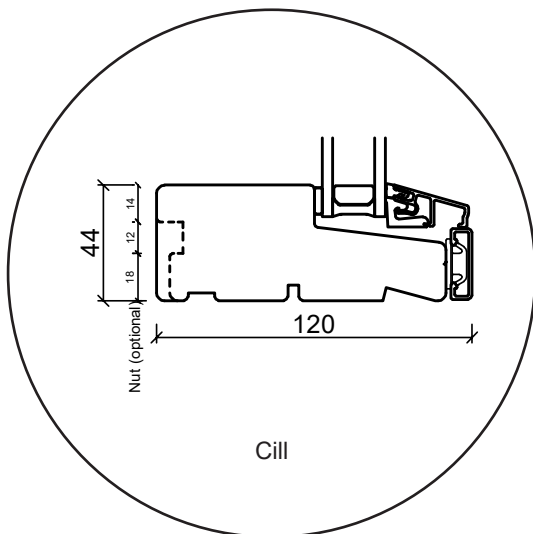
Transom



Side frame



Transom



Cill

