

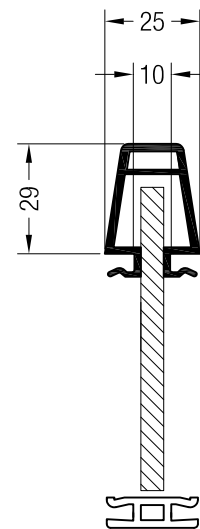
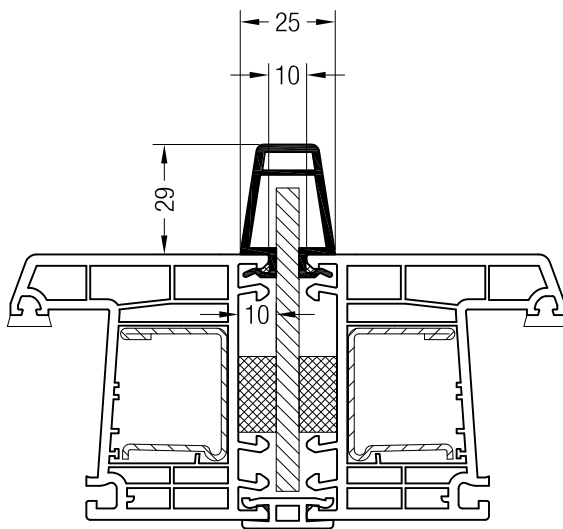
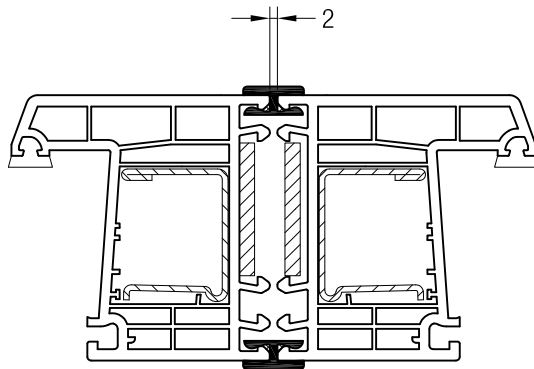
Technical Drawings

uPVC, Couplers, bay poles & corner posts,
Euro70 - 70 mm frame depth

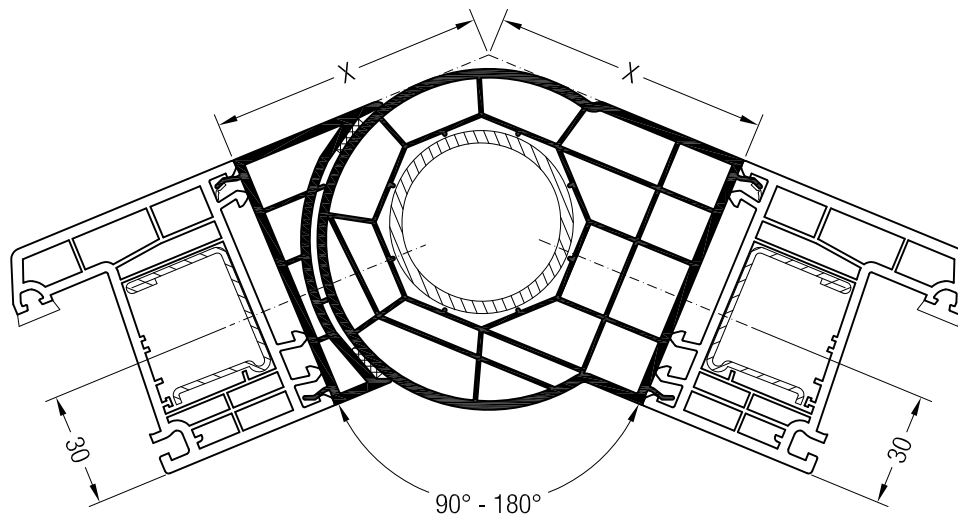


SPARWINDOWS

H-coupling (2 mm) and Statick couplin (10 mm)

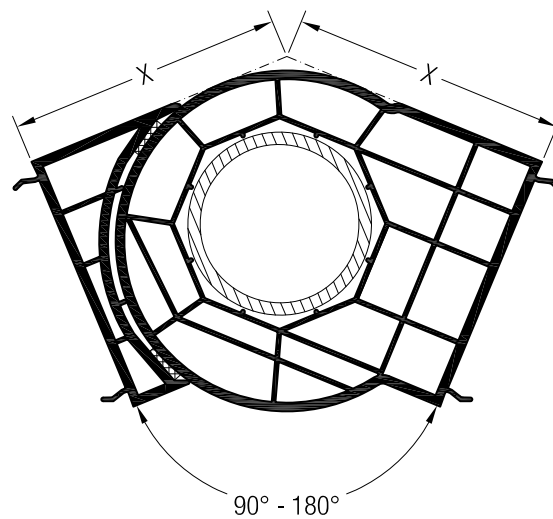


Adjustable Bay pole (90° to 180°)



Please note: On adjustable Bay poles, the angle of the pole, will dictate the measurement of "X" - please see the table below for the dimensions of "X" dependent on the angle of the pole.

Angle	X mm
180	54
175	56
170	58
165	60
160	62
155	64
150	66
145	68
140	70
135	73
130	75
125	77
120	80
115	83
110	86
105	89
100	92
95	95
90	99



Corner post, 90° & bay pole 45°

