

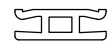
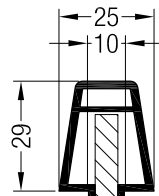
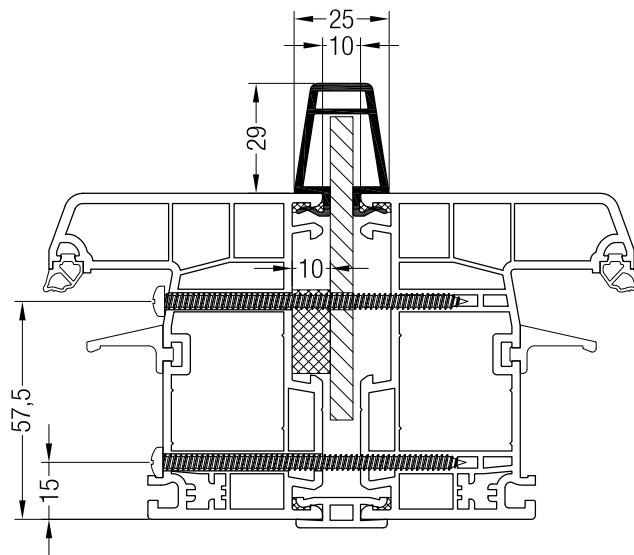
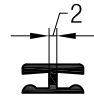
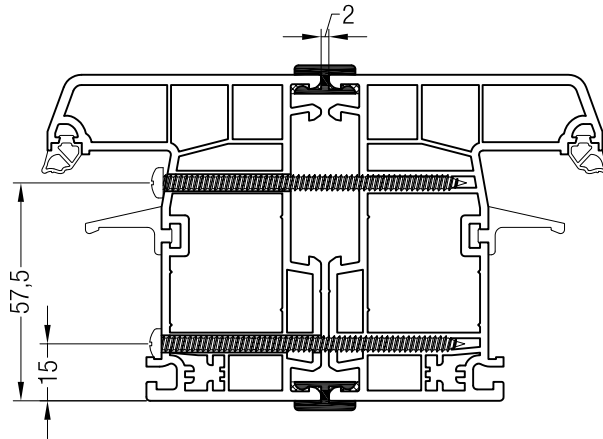
Technical Drawings

uPVC, Couplers, bay poles & corner posts,
Geneo - 86 mm frame depth

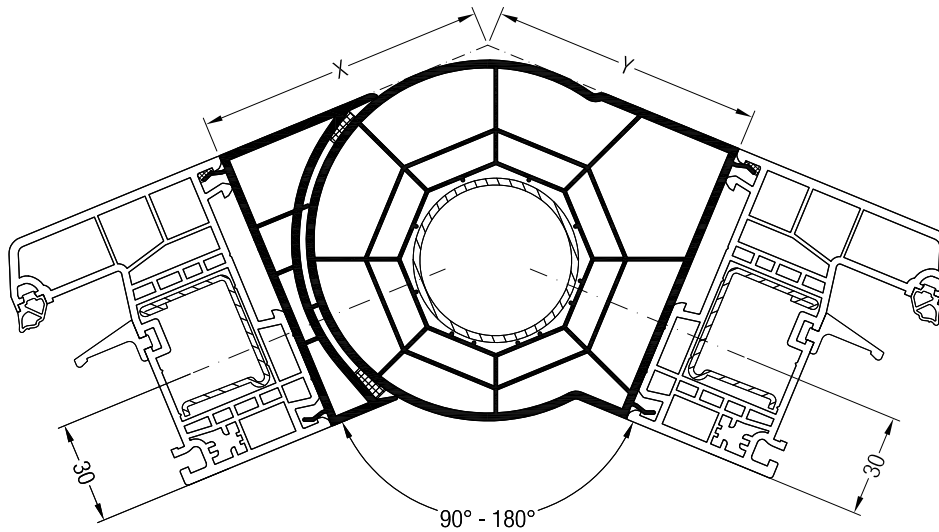


SPARWINDOWS

H-coupling (2 mm) and Statick couplin (10 mm)

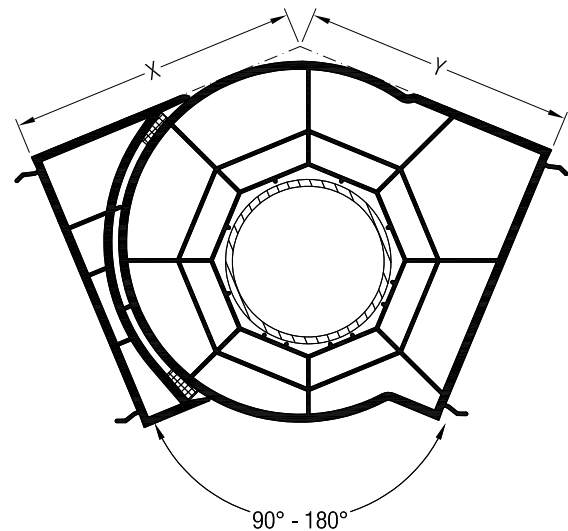


Adjustable Bay pole (90° to 180°)



Please note: On adjustable Bay poles, the angle of the pole, will dictate the measurement of "X" and "Y" - please see the table below for the dimensions of "X" and "Y" dependent on the angle of the pole.

Angle	X mm	Y mm
180	63	58
175	65	60
170	68	62
165	70	65
160	72	67
155	75	69
150	77	72
145	80	74
140	82	77
135	85	80
130	88	82
125	91	85
120	94	88
115	97	91
110	100	95
105	104	98
100	108	102
95	112	106
90	116	111



Corner post, 90° & bay pole 45°

