

Technical Drawings

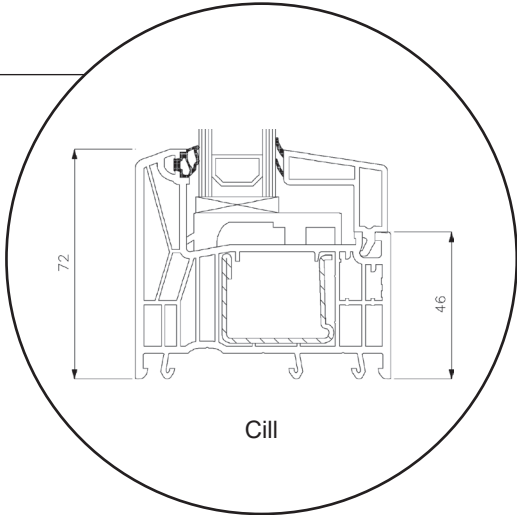
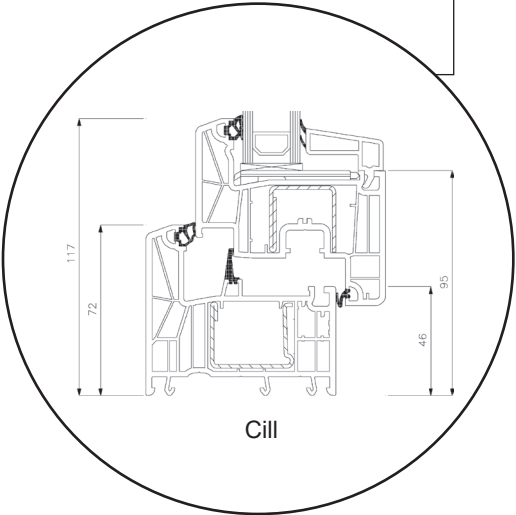
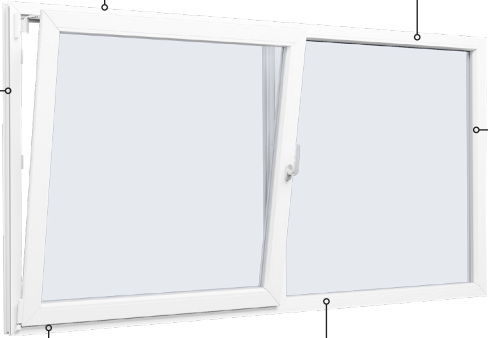
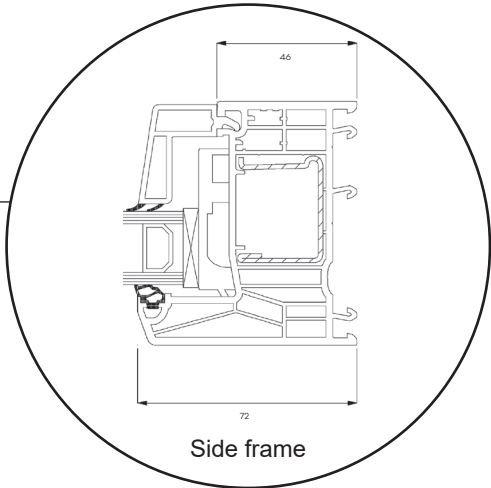
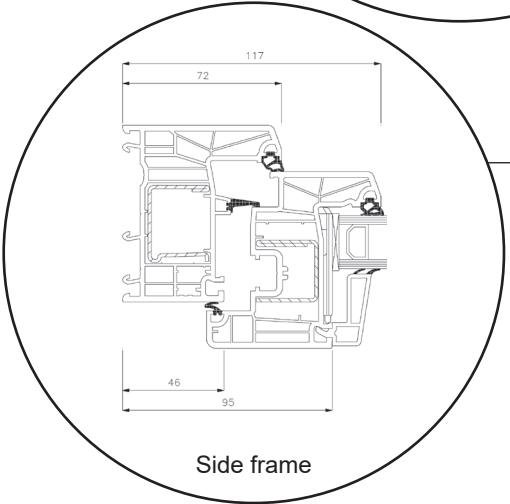
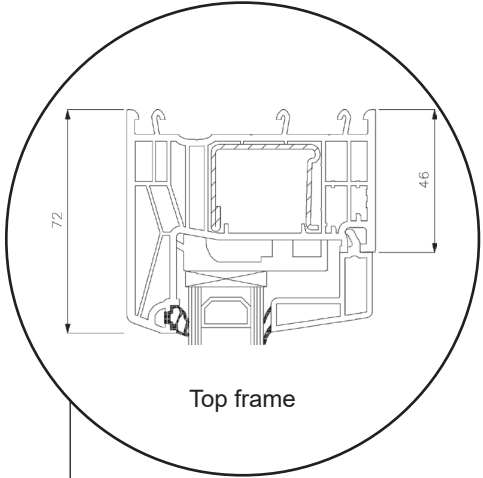
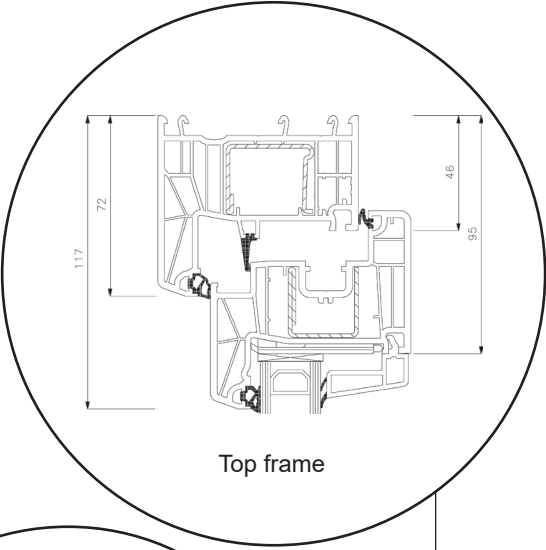
uPVC, double glazing, 80 mm frame depth



SPARWINDOWS

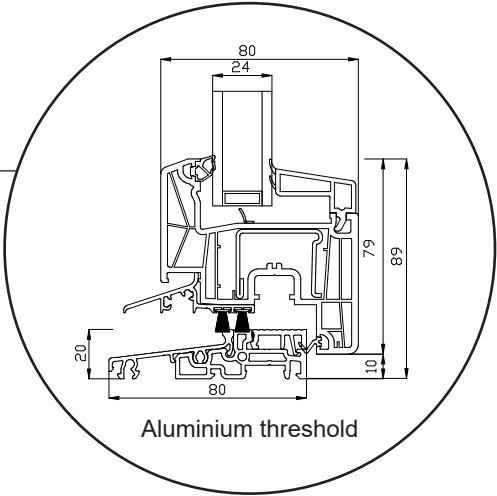
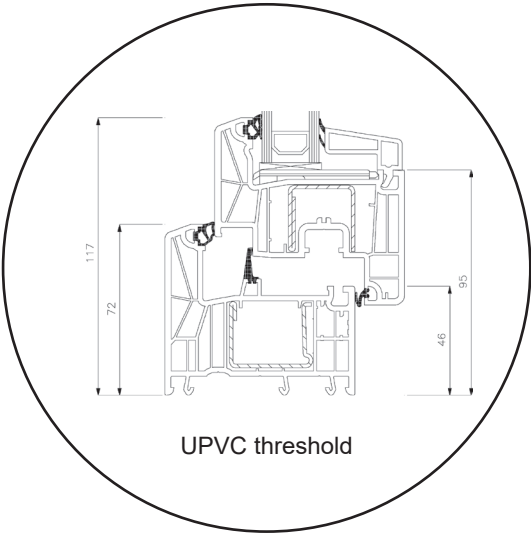
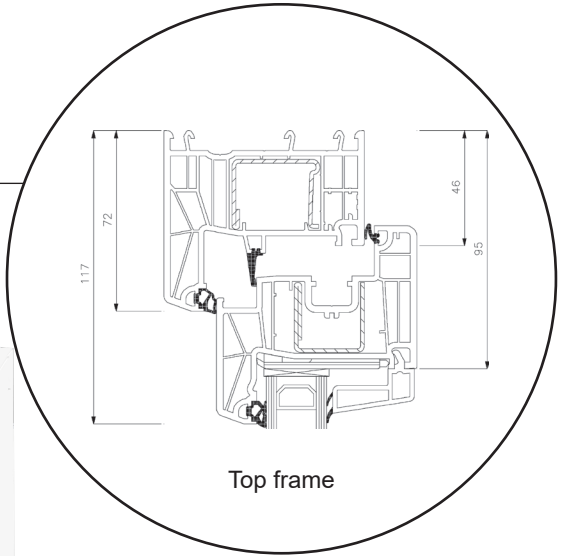
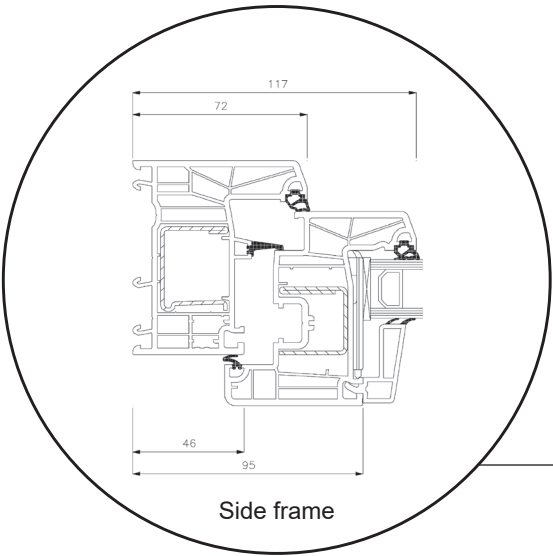
Tilt & turn window, inward opening

Double glazing, 80 mm frame depth, uPVC



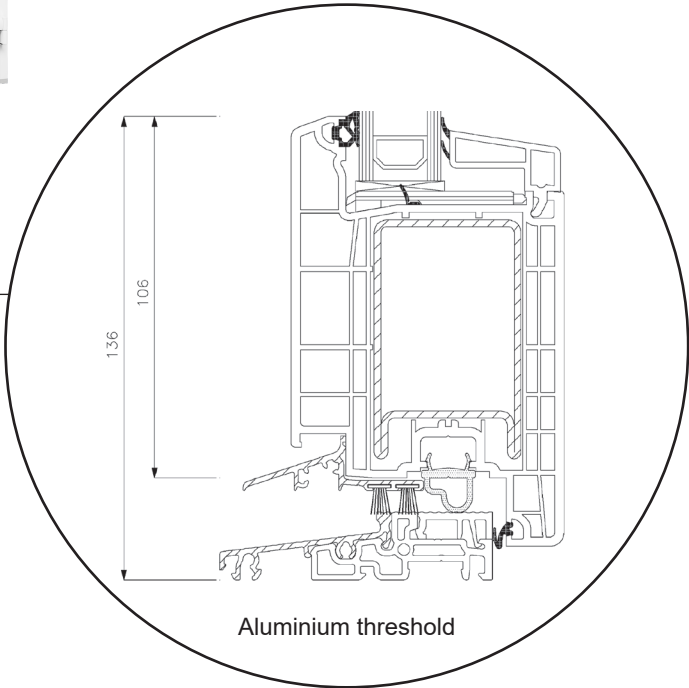
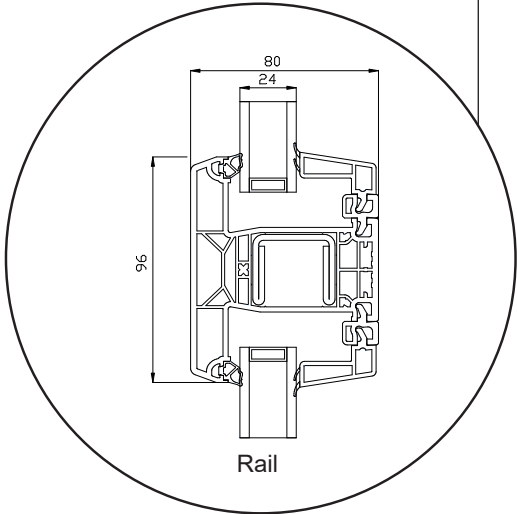
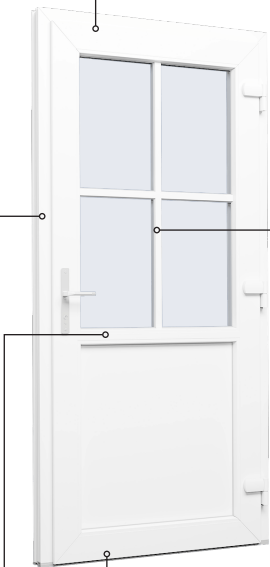
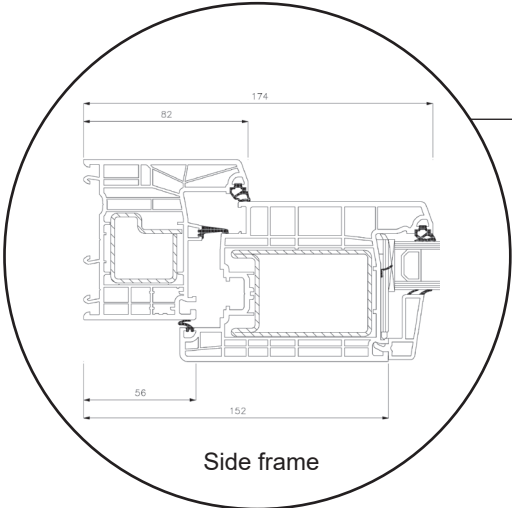
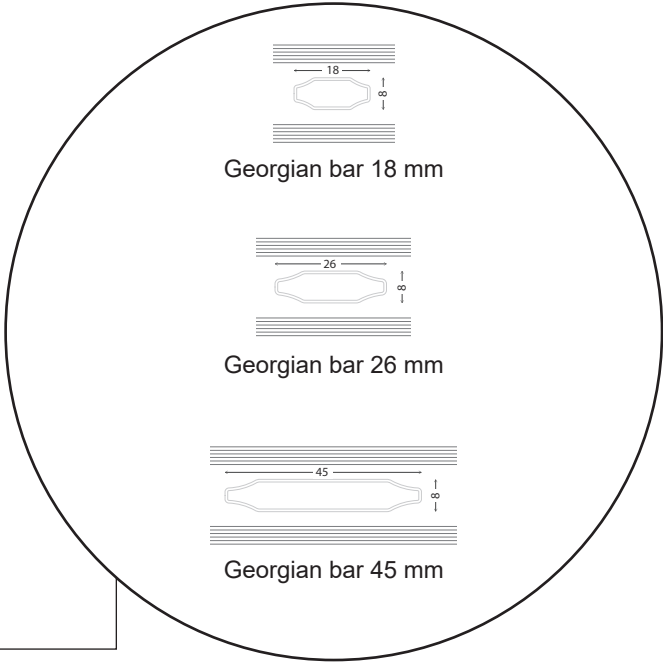
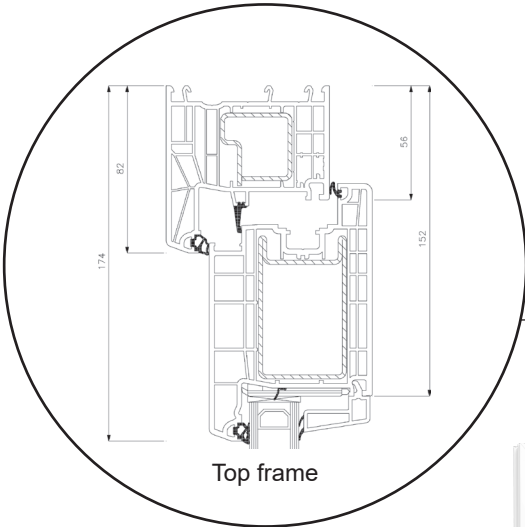
Tilt & turn balcony door, inward opening

Double glazing, 80 mm frame depth, uPVC



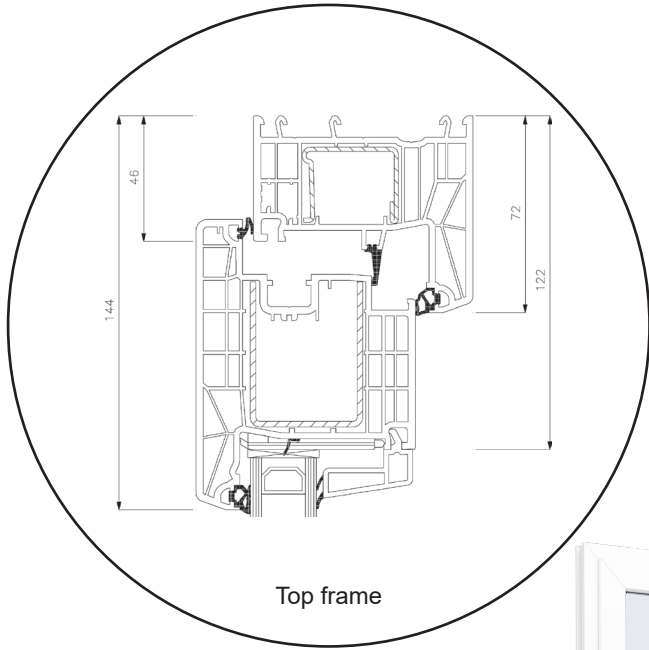
Front door, inward opening

Double glazing, 80 mm frame depth, uPVC

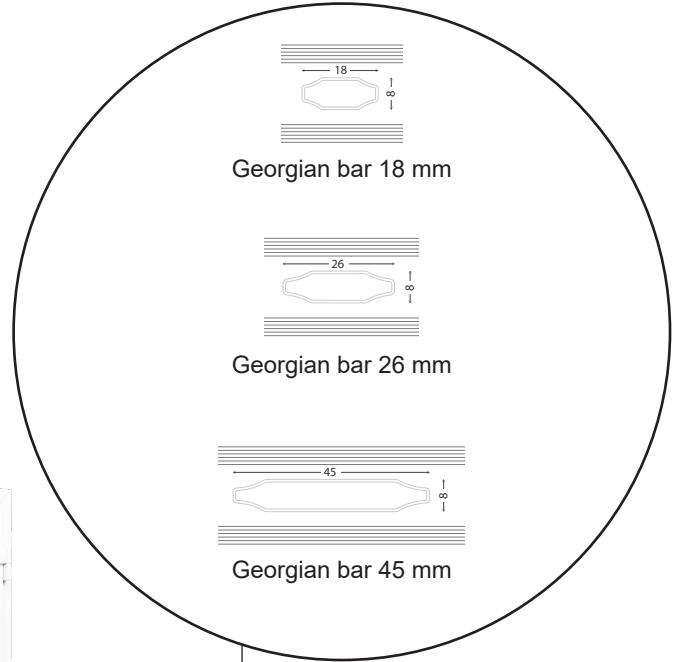


Patio door, outward opening

Double glazing, 80 mm frame depth, uPVC



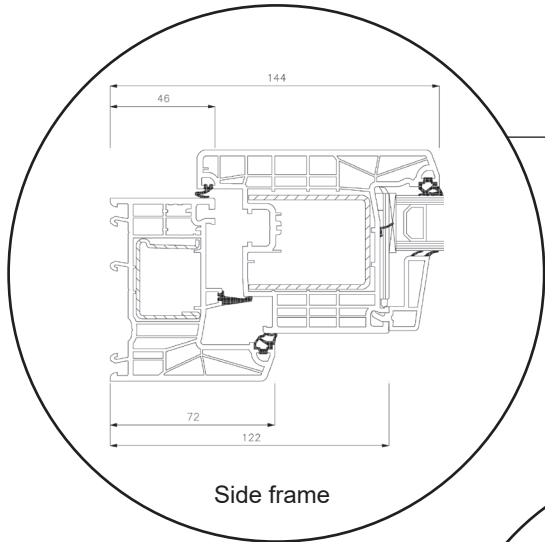
Top frame



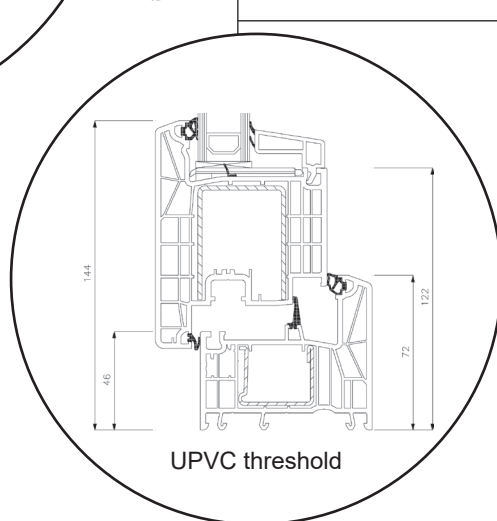
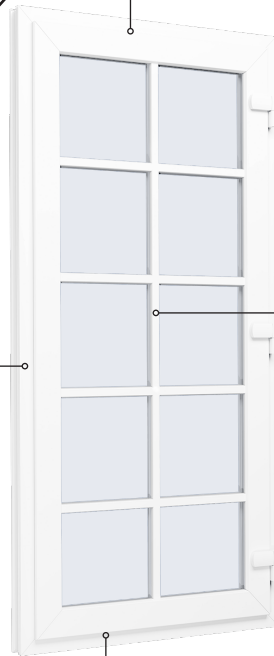
Georgian bar 18 mm

Georgian bar 26 mm

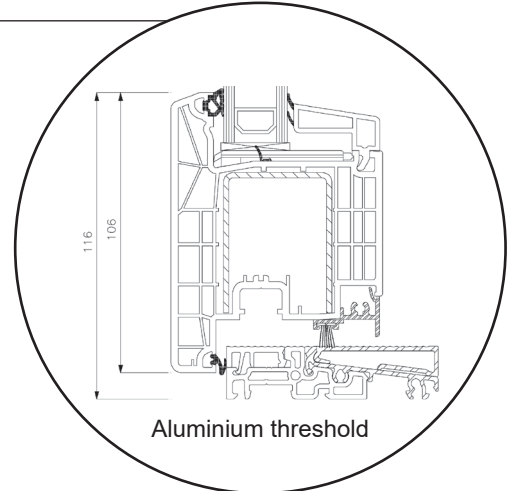
Georgian bar 45 mm



Side frame



UPVC threshold



Aluminium threshold

