

Technical Drawings

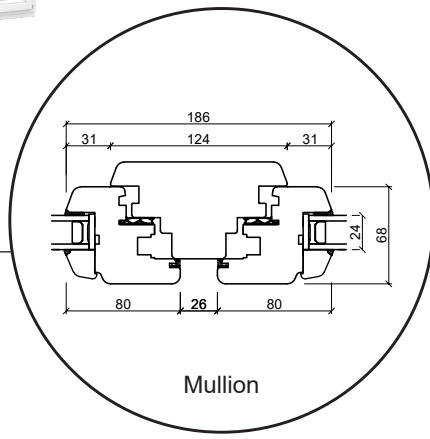
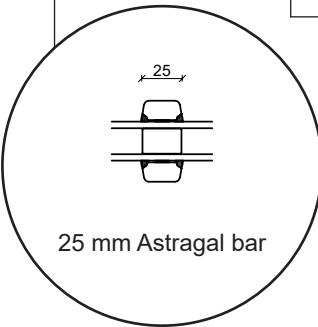
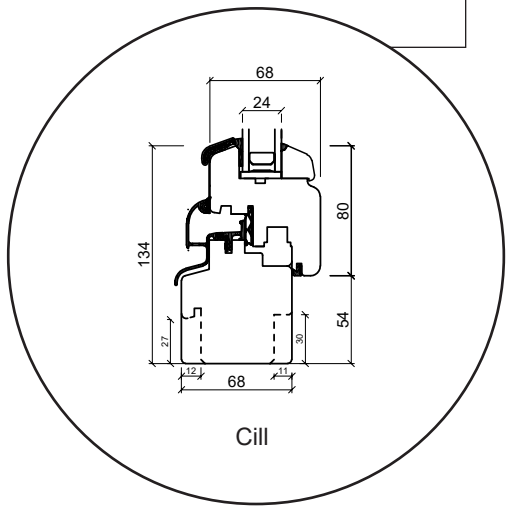
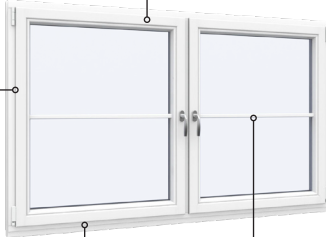
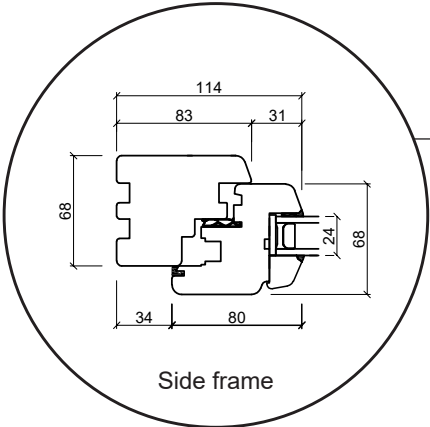
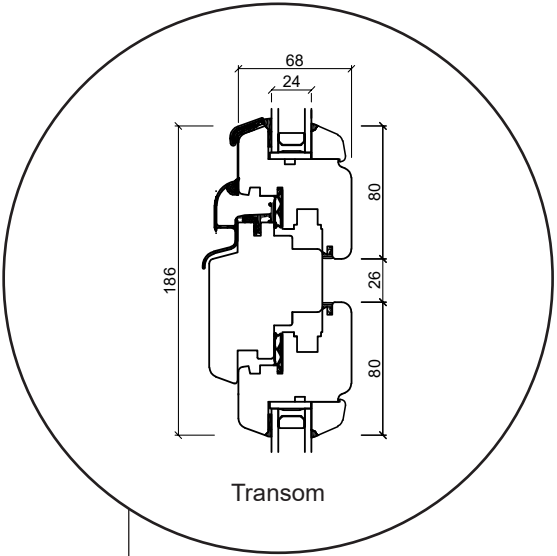
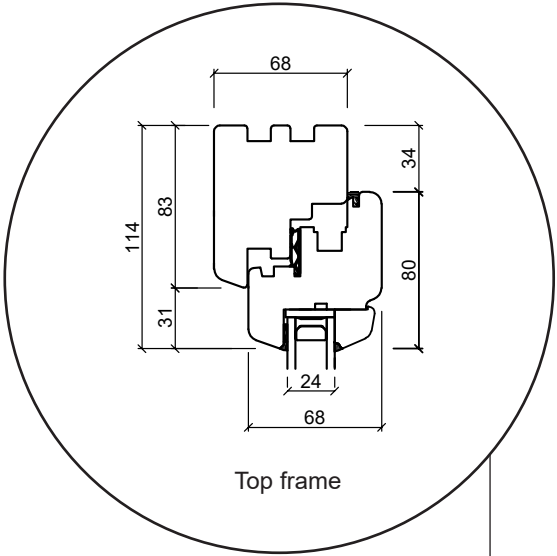
Wood. Tilt & turn, double glazing,
68 mm and 80 mm frame depth



SPARWINDOWS

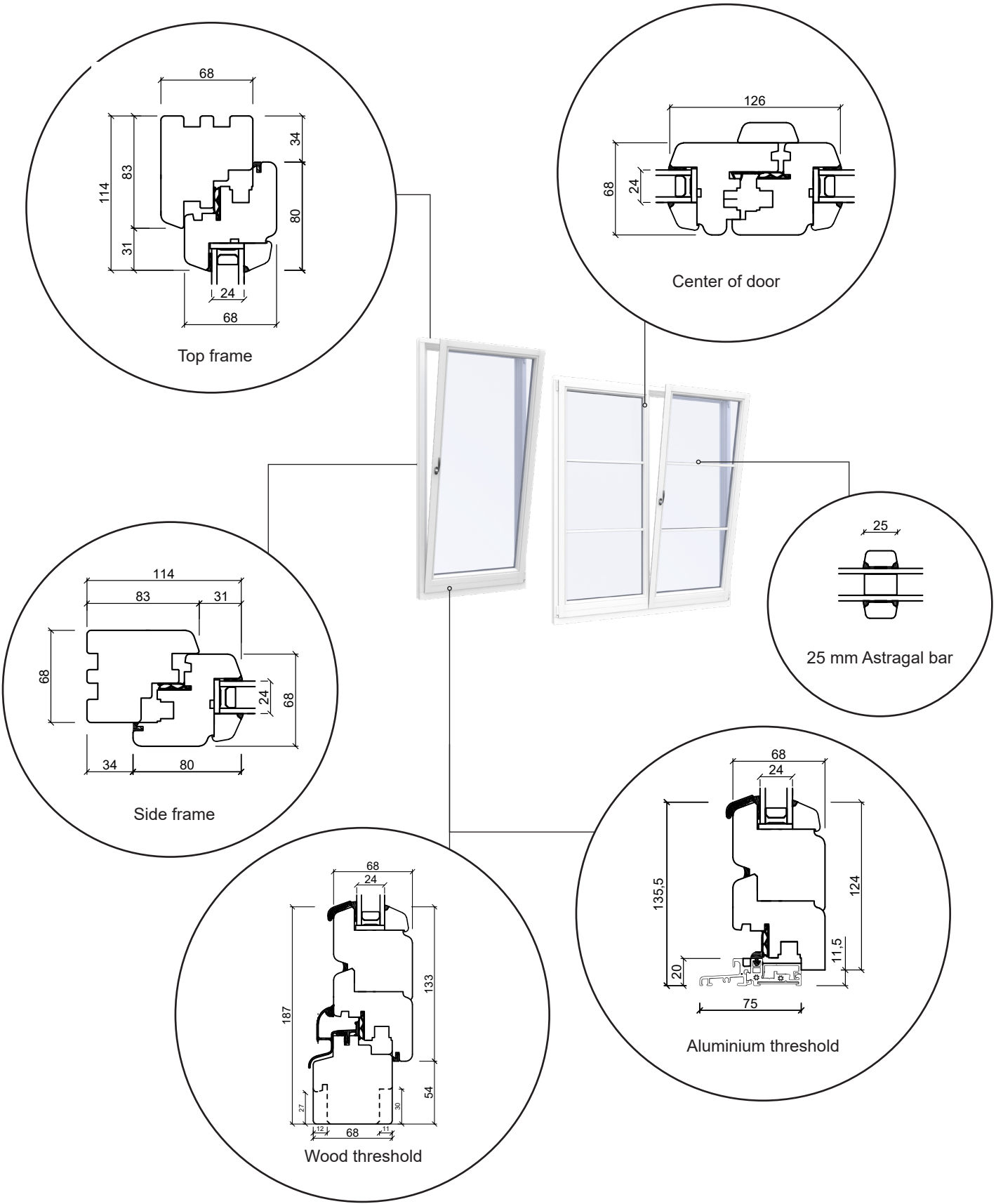
Tilt & turn window, inward opening

Double glazing, 68 mm frame depth, wood



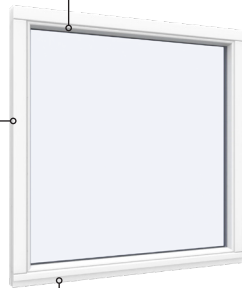
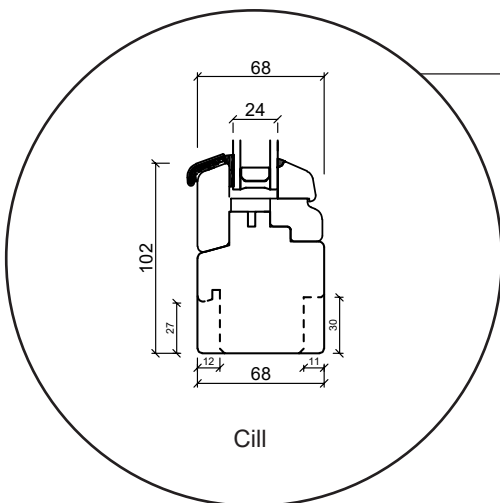
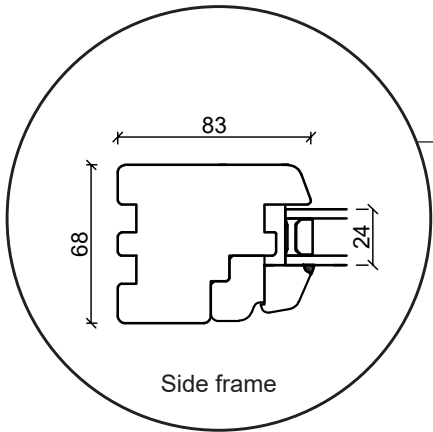
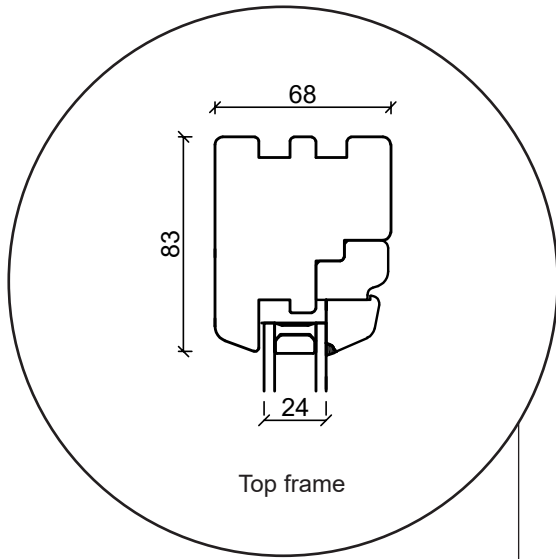
Tilt & turn balcony door, inward opening

Double glazing, 68 mm frame depth, wood



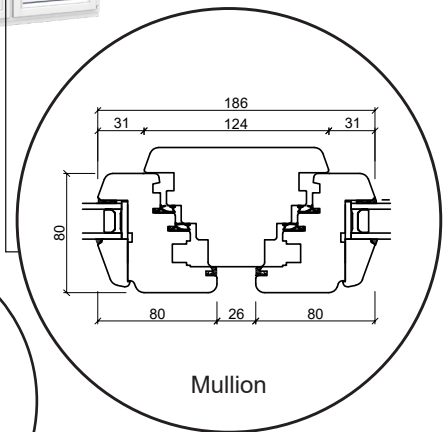
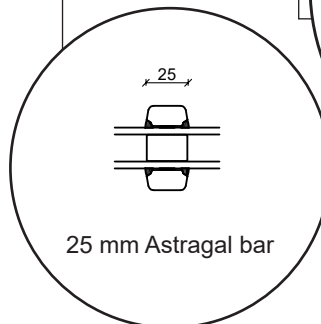
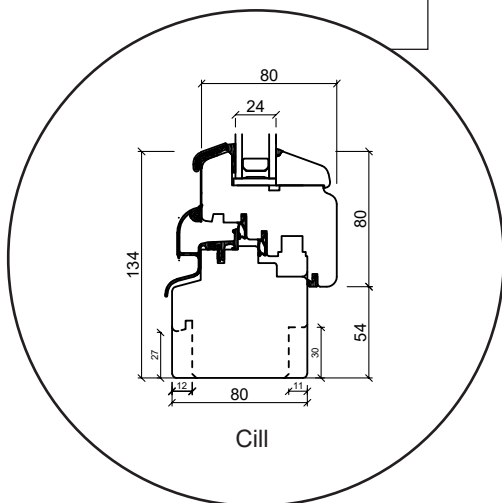
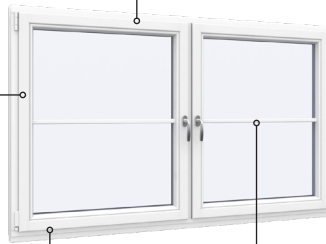
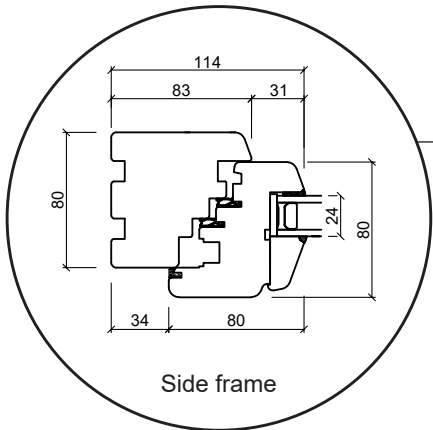
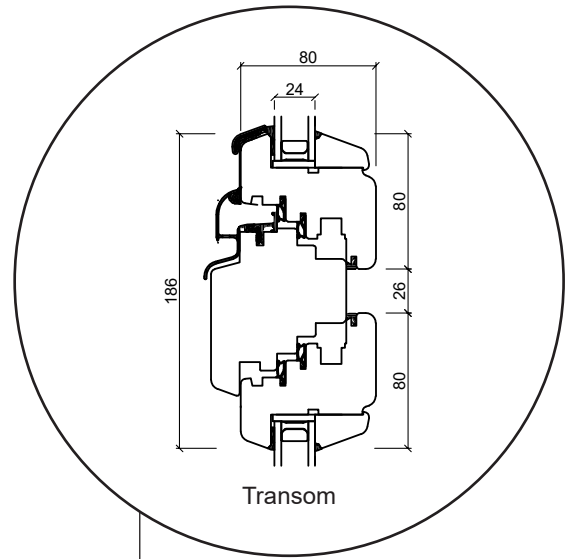
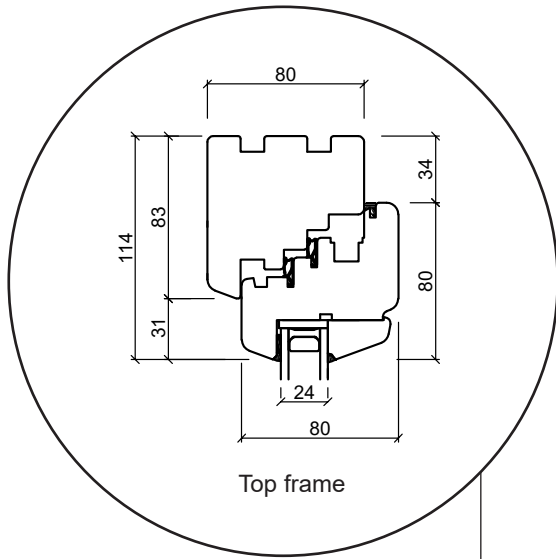
Fixed window

Double glazing, 68 mm frame depth, wood



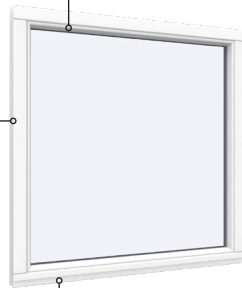
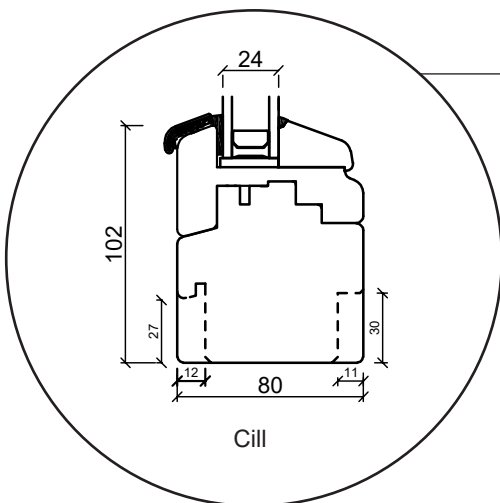
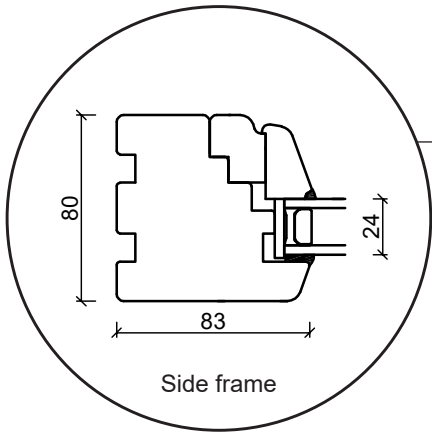
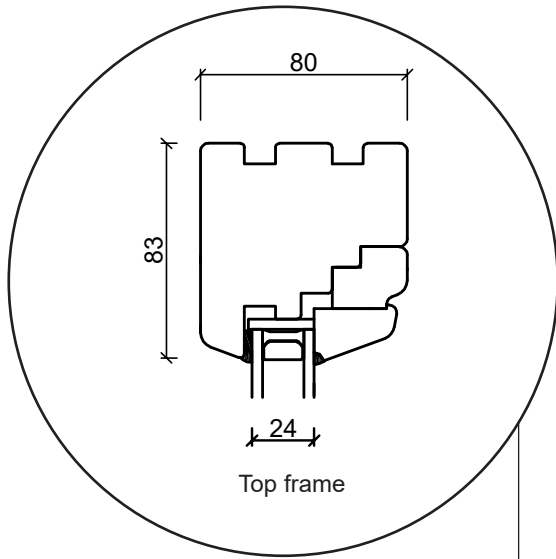
Tilt & turn window, inward opening

Double glazing, 80 mm frame depth, wood



Fixed window

Double glazing, 80 mm frame depth, wood



Tilt & turn balcony door, inward opening

Double glazing, 80 mm frame depth, wood

