

Technical Drawings

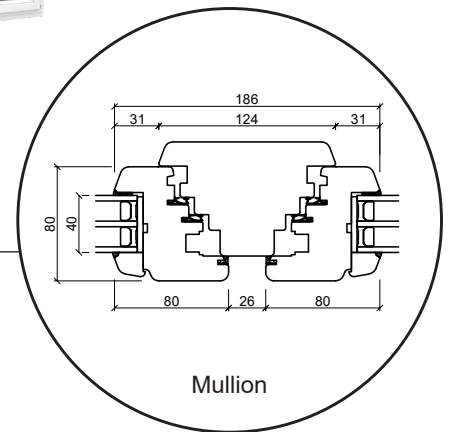
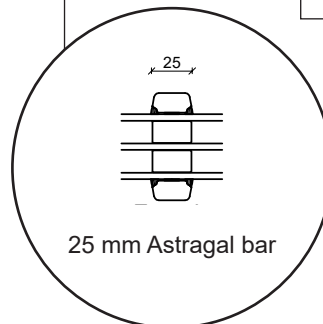
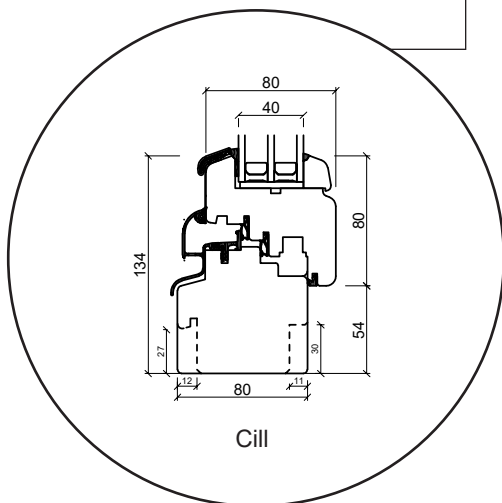
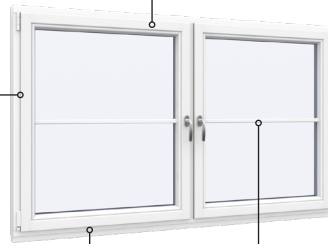
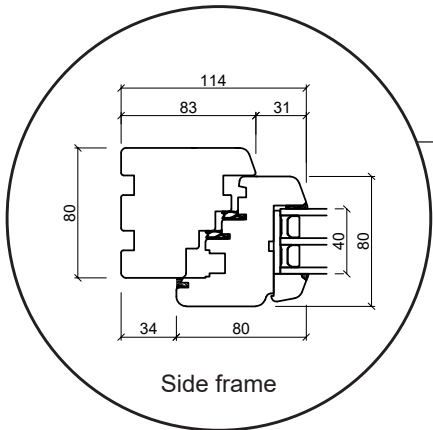
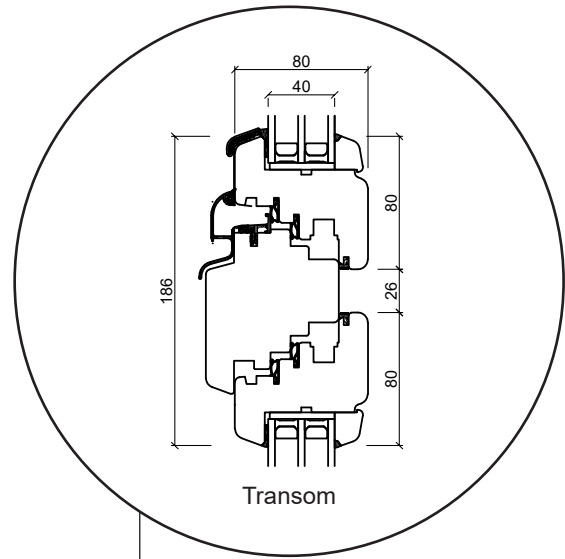
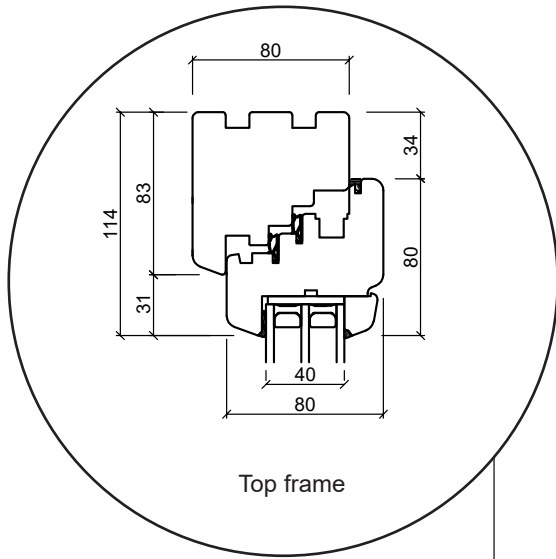
Wood. Tilt & turn, triple glazing,
80 mm and 92 mm frame depth



SPARWINDOWS

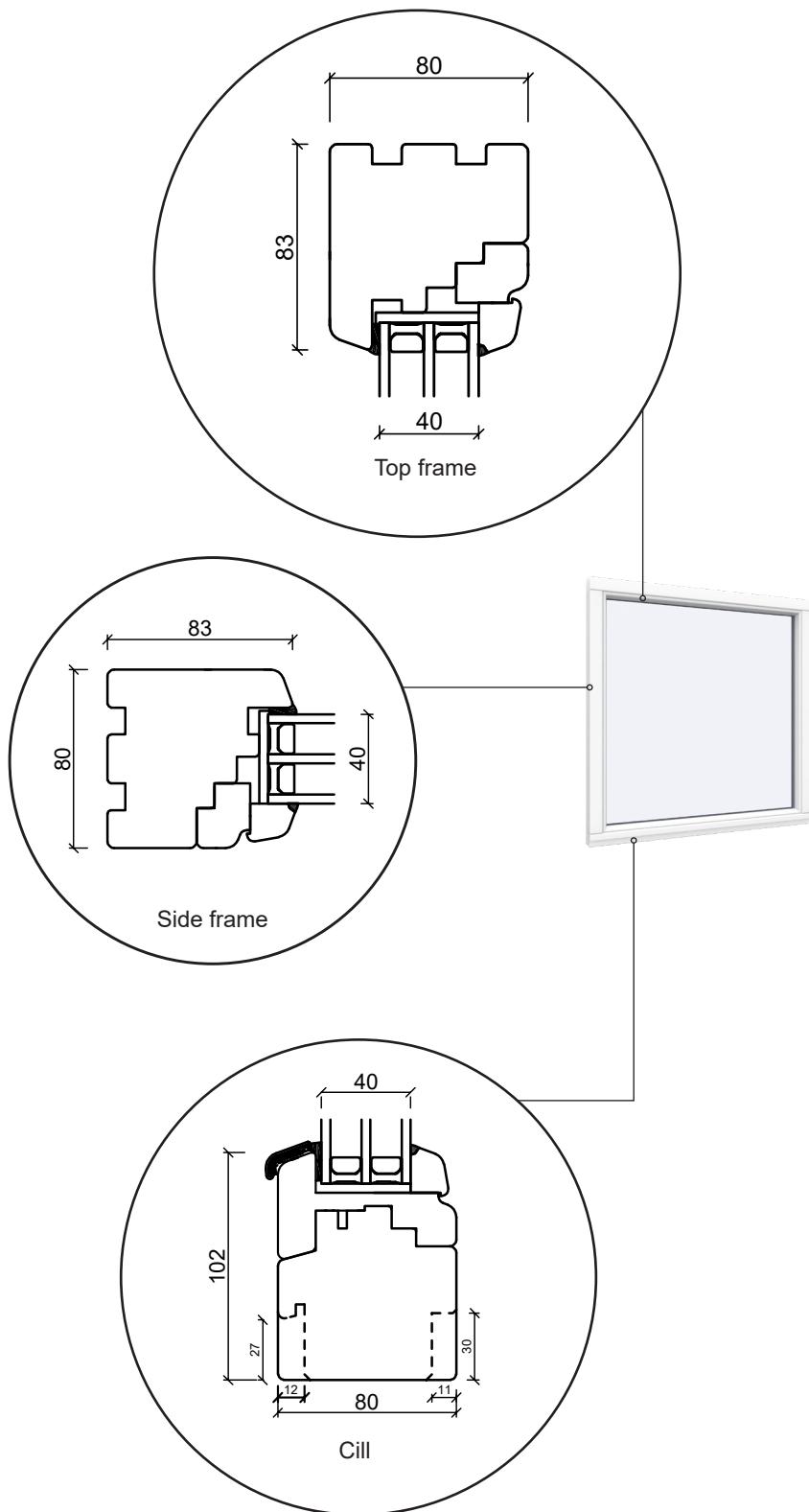
Tilt & turn window, inward opening

Triple glazing, 80 mm frame depth, wood



Fixed window

Triple glazing, 80 mm frame depth, wood

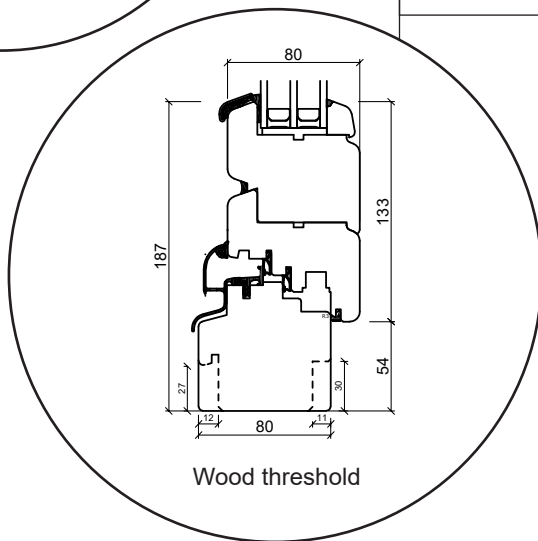
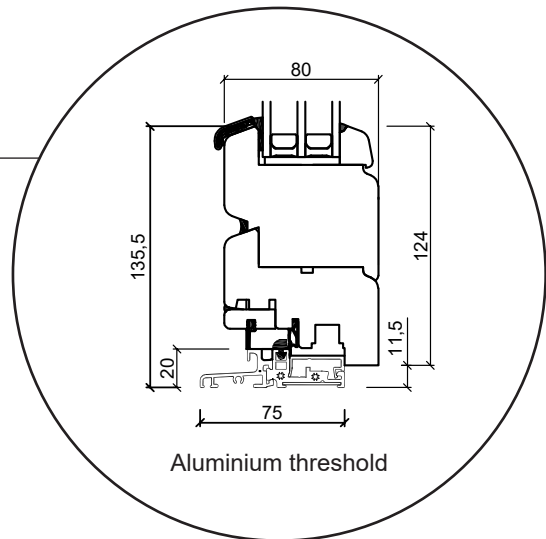
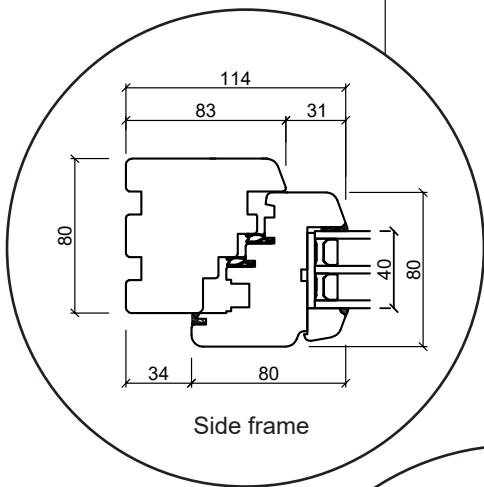
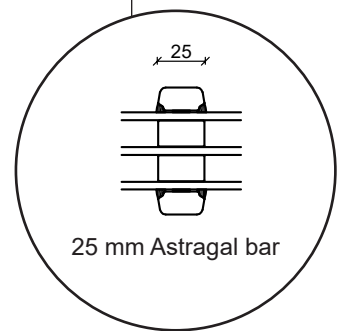
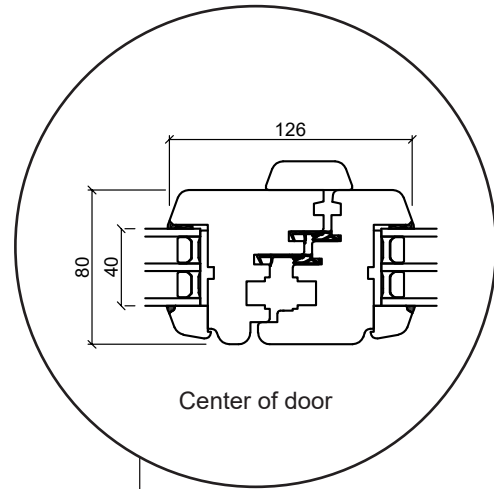
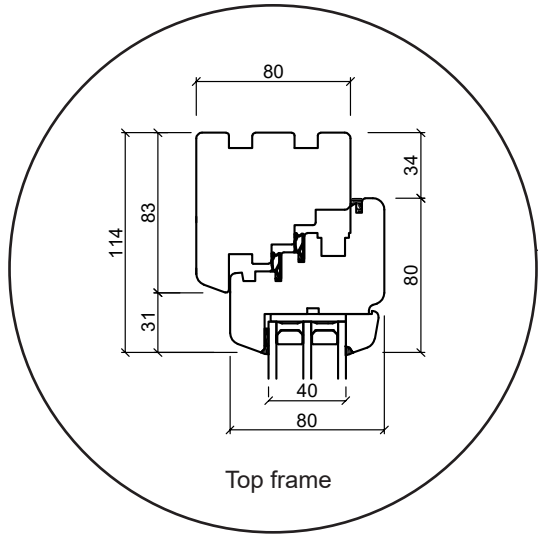


info@sparwindows.co.uk

SPARWINDOWS

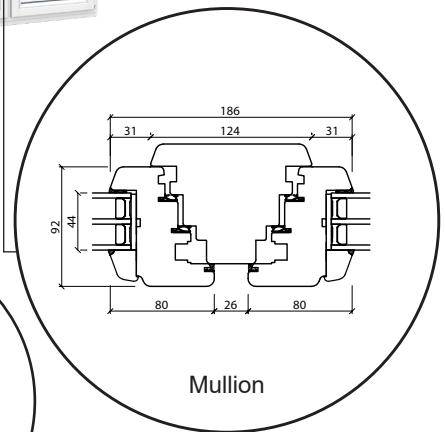
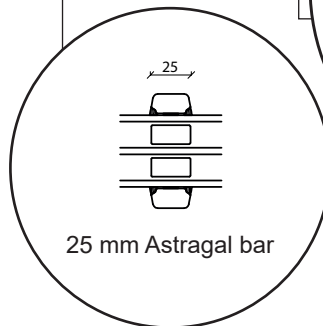
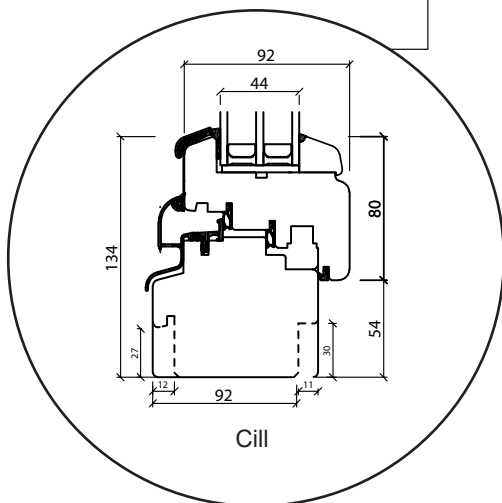
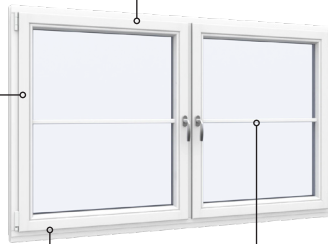
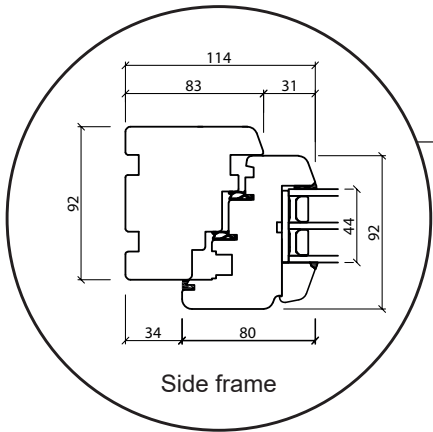
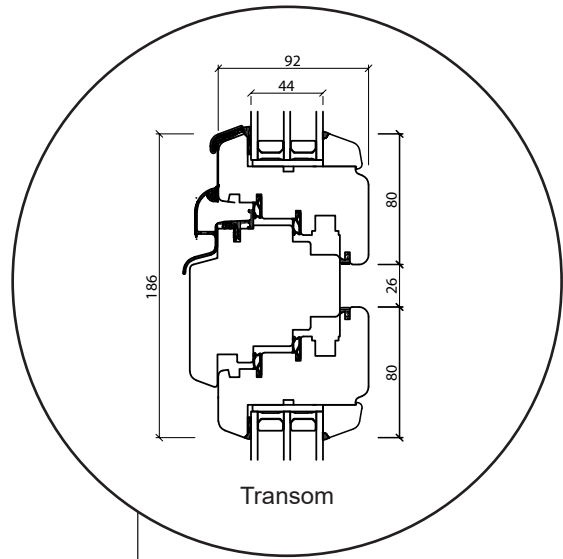
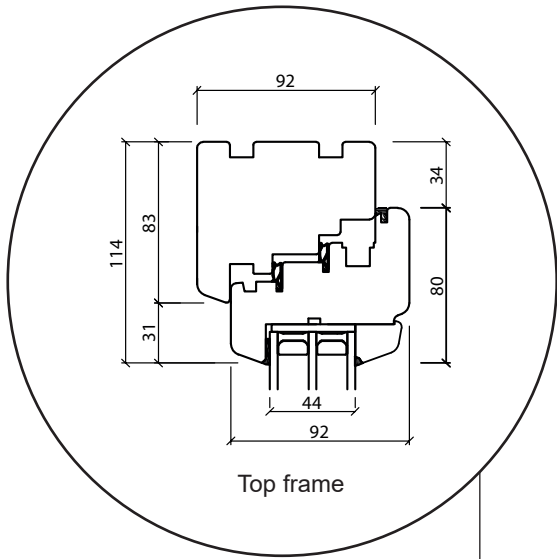
Tilt & turn balcony door, inward opening

Triple glazing, 80 mm frame depth, wood



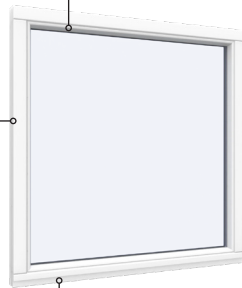
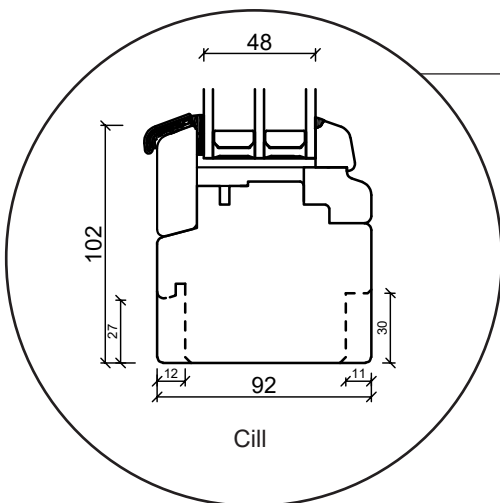
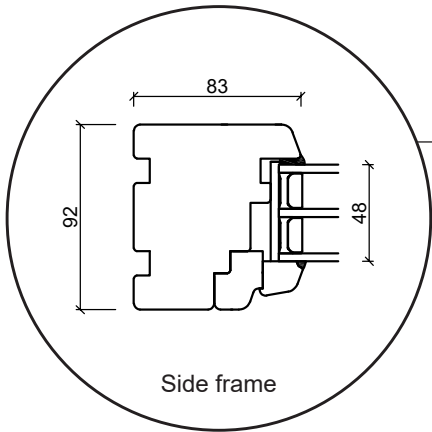
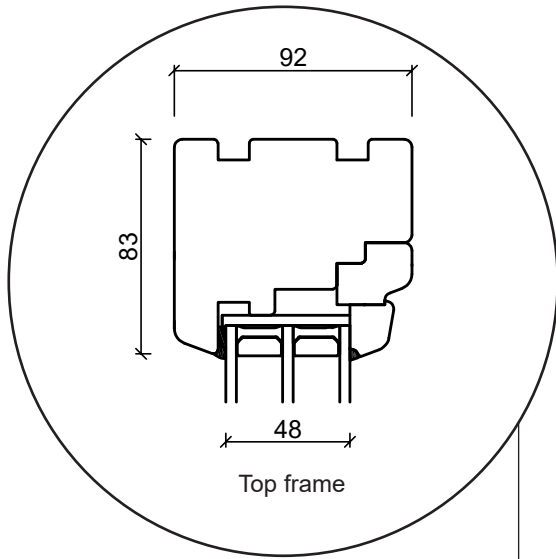
Tilt & turn window, inward opening

Triple glazing, 92 mm frame depth, wood



Fixed window

Triple glazing, 92 mm frame depth, wood



Tilt & turn balcony door, inward opening

Triple glazing, 92 mm frame depth, wood

