

Technical Drawings

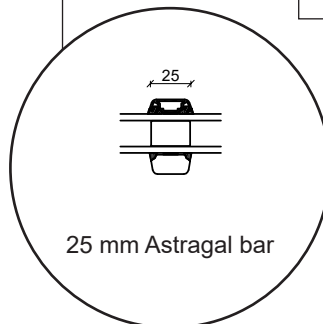
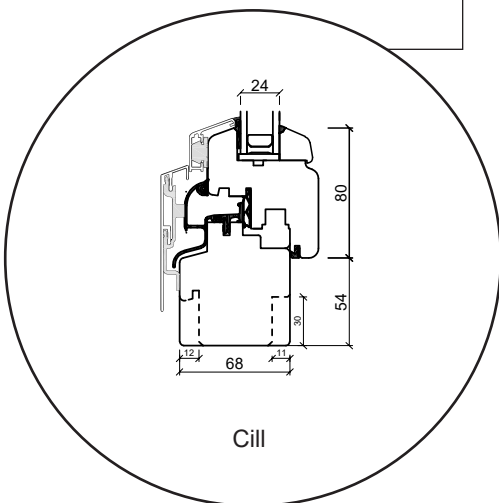
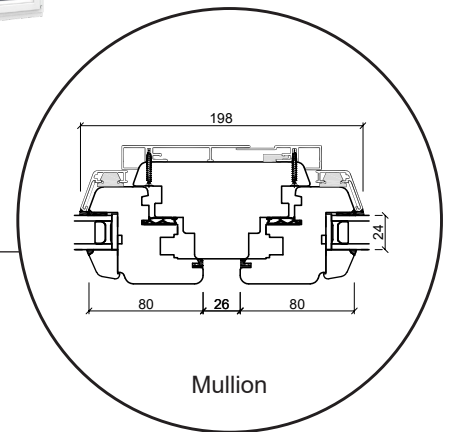
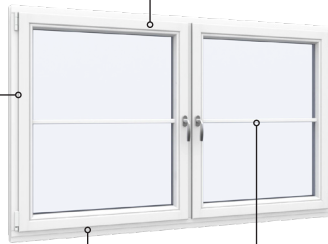
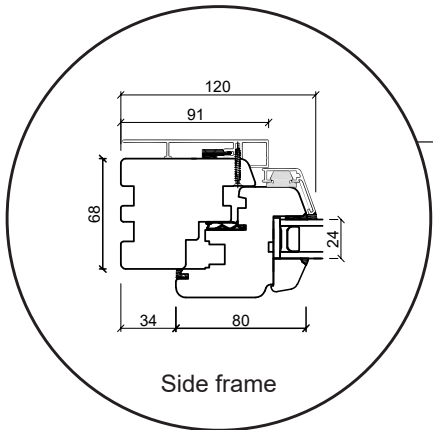
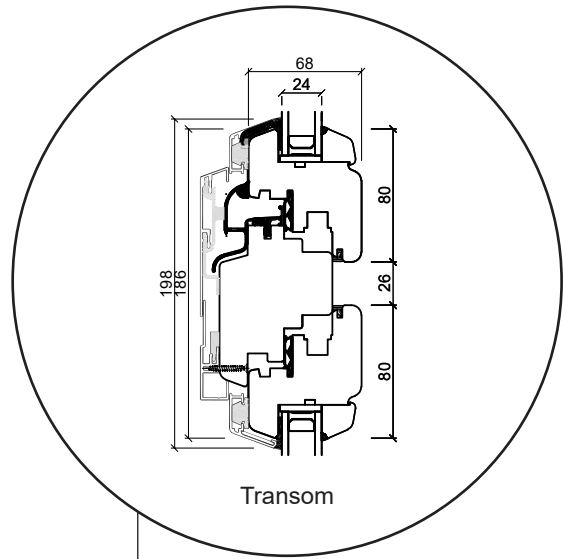
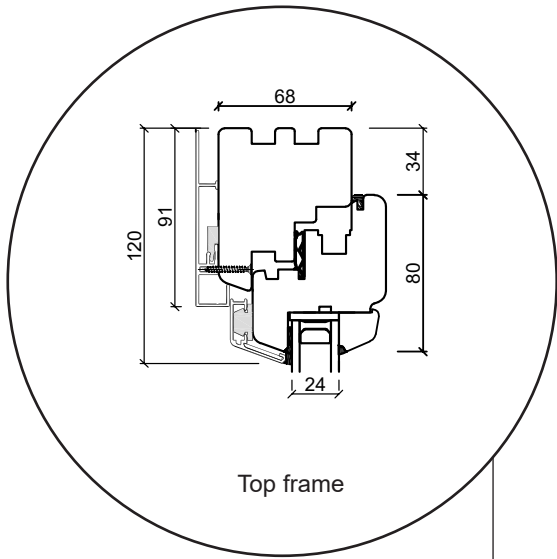
Alu-clad wood. Tilt & turn, double glazing,
68 mm and 80 mm frame depth



SPARWINDOWS

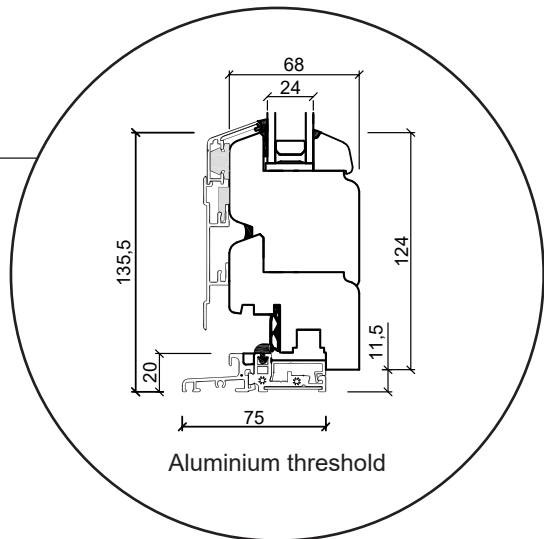
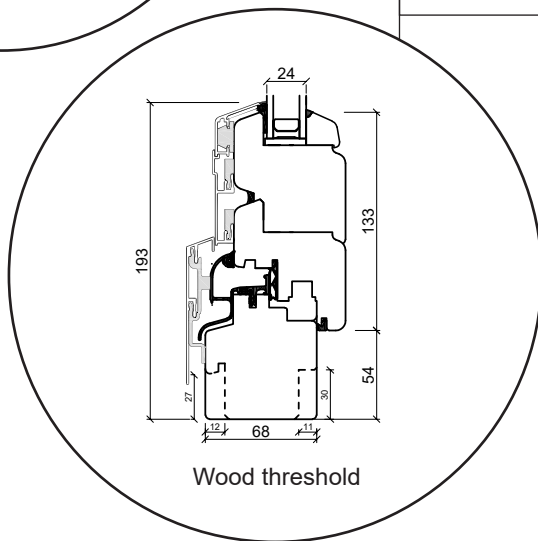
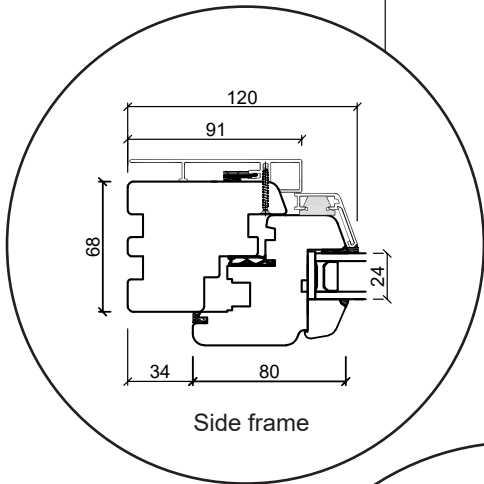
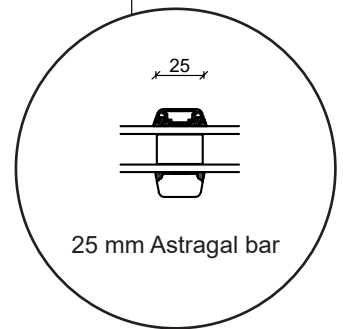
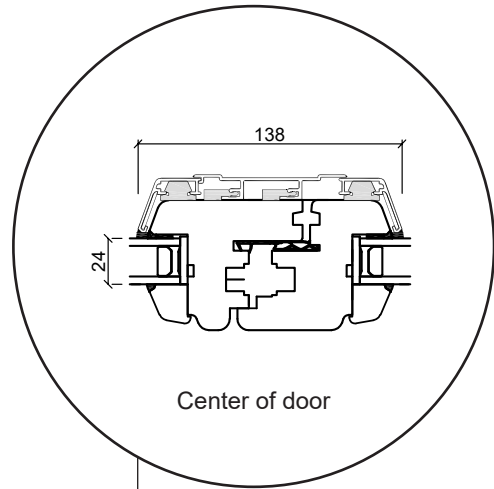
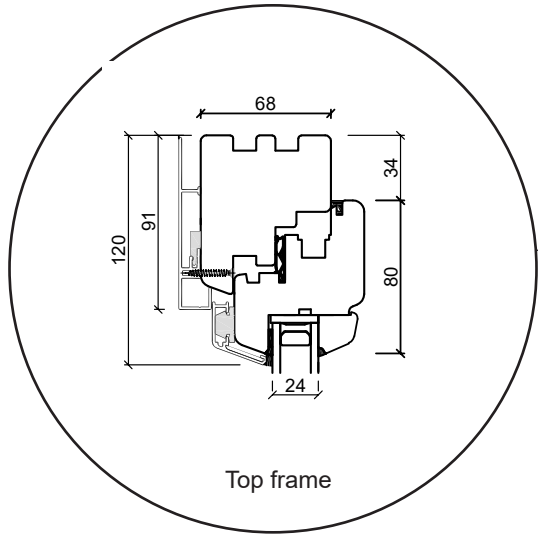
Tilt & turn window, inward opening

Double glazing, 68 mm frame depth, wood/Alu



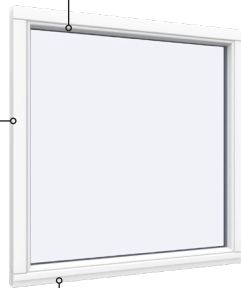
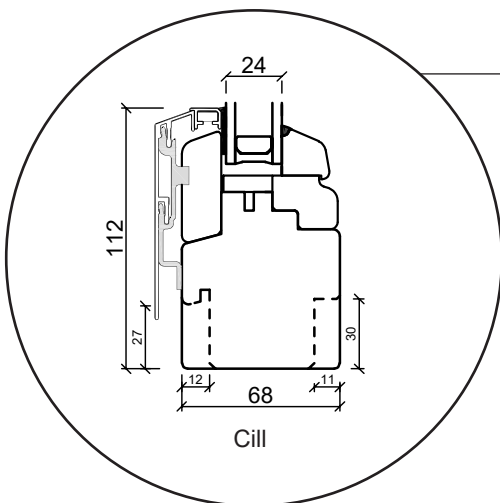
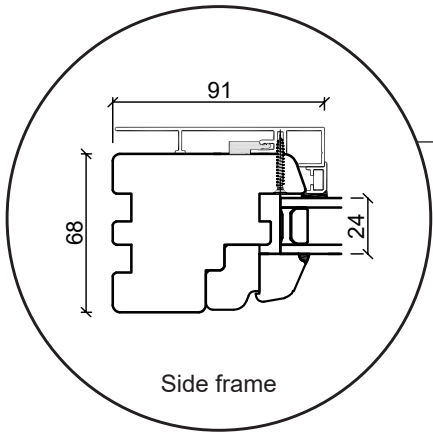
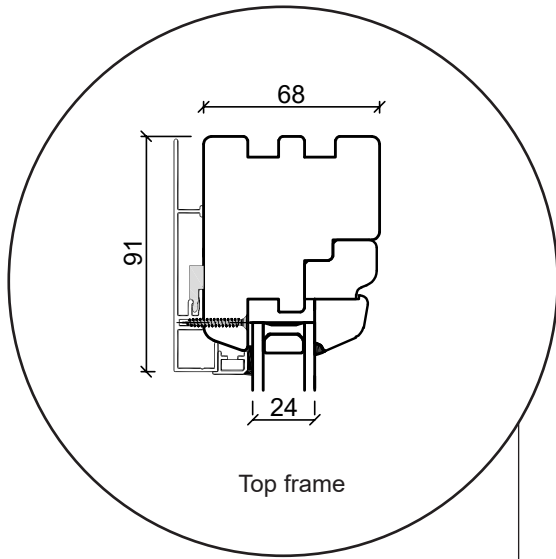
Tilt & turn balcony door, inward opening

Double glazing, 68 mm frame depth, wood/Alu



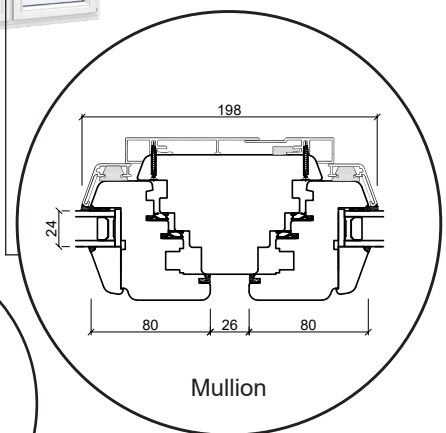
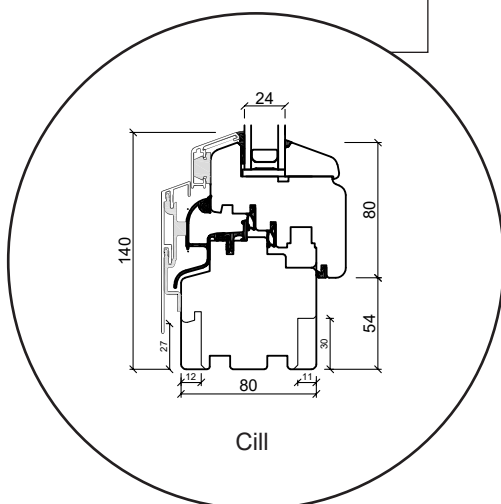
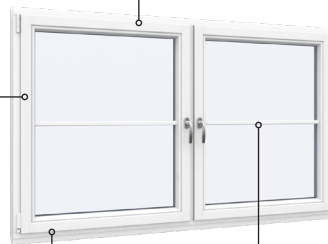
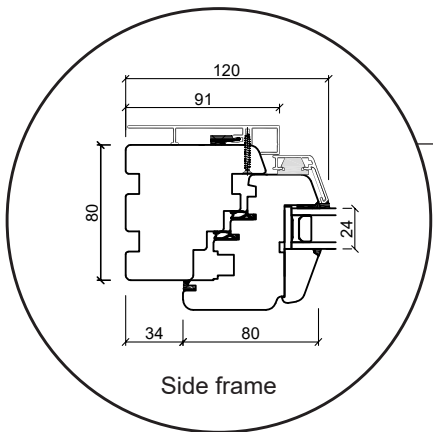
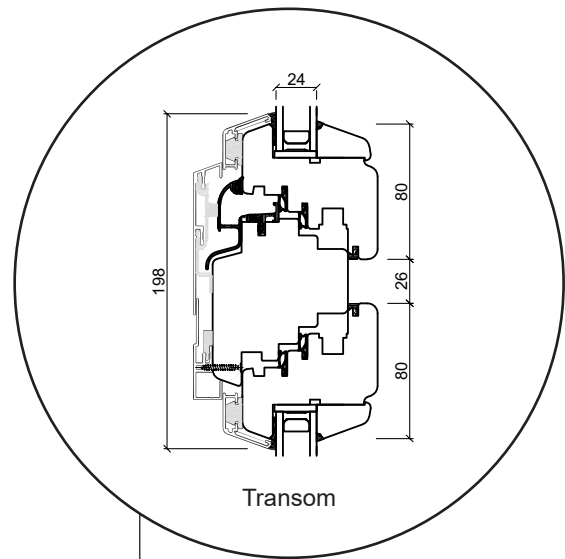
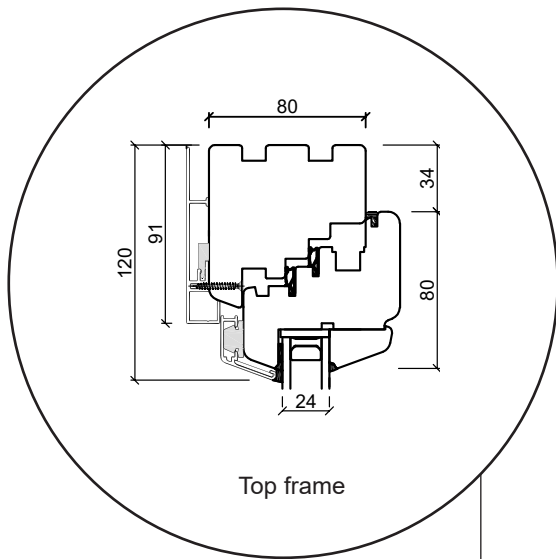
Fixed window

Double glazing, 68 mm frame depth, wood/Alu



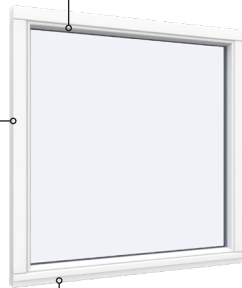
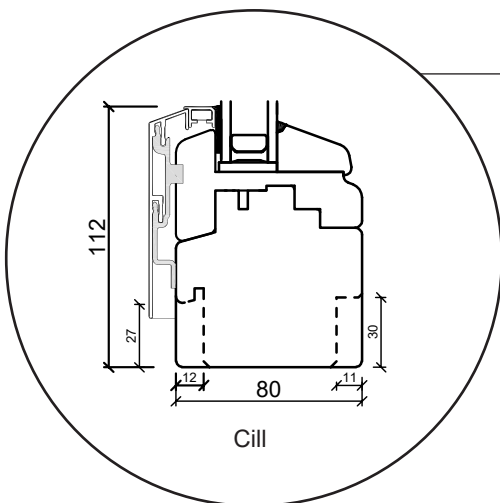
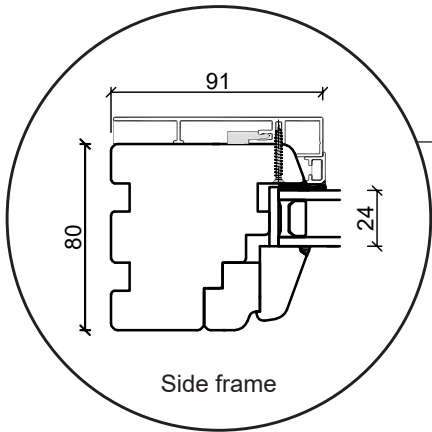
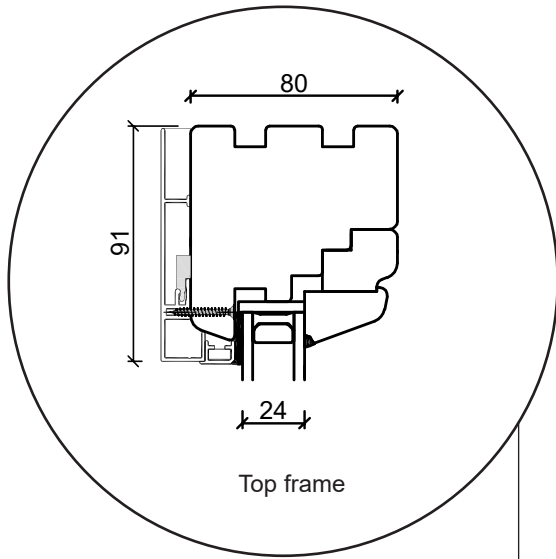
Tilt & turn window, inward opening

Double glazing, 80 mm frame depth, wood/Alu



Fixed window

Double glazing, 80 mm frame depth, wood/Alu



Tilt & turn balcony door, inward opening

Double glazing, 80 mm frame depth, wood/Alu

