

# Technical Drawings

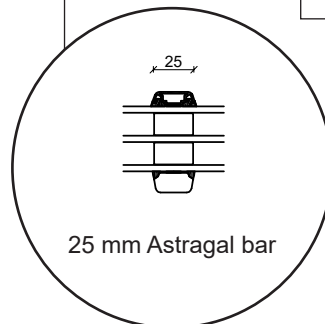
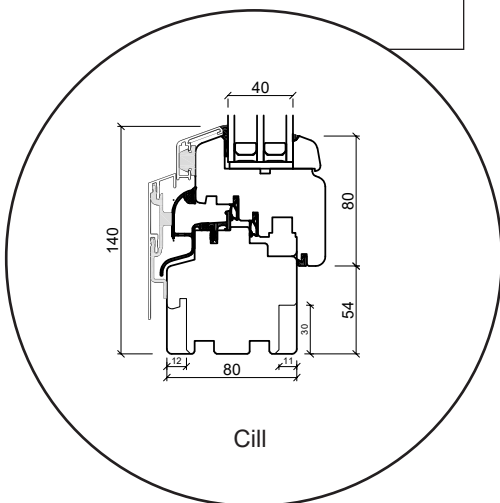
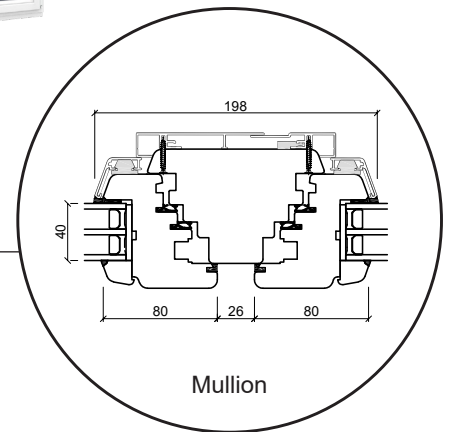
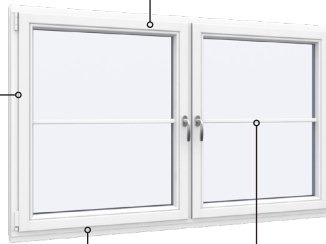
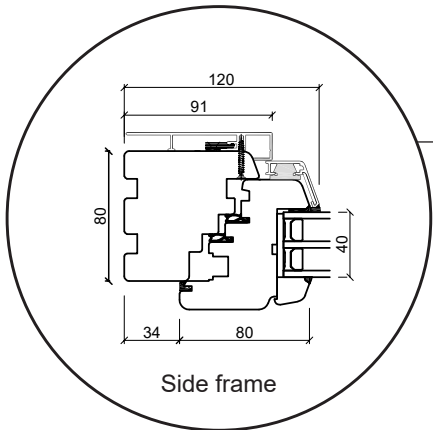
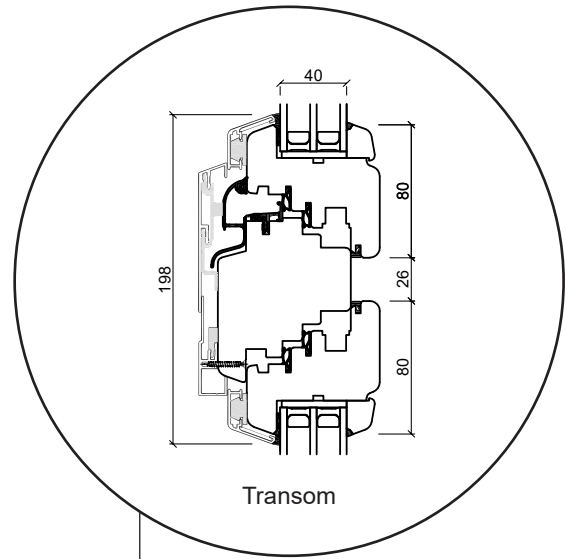
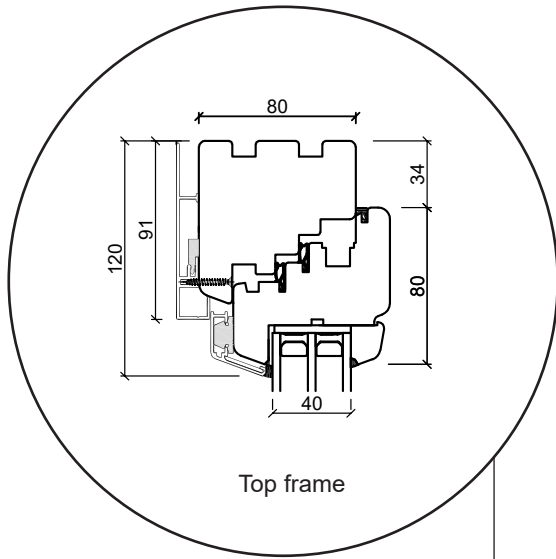
Alu-clad wood. Tilt & turn, triple glazing,  
80 mm and 92 mm frame depth



**SPARWINDOWS**

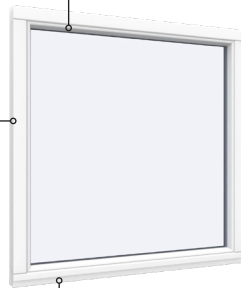
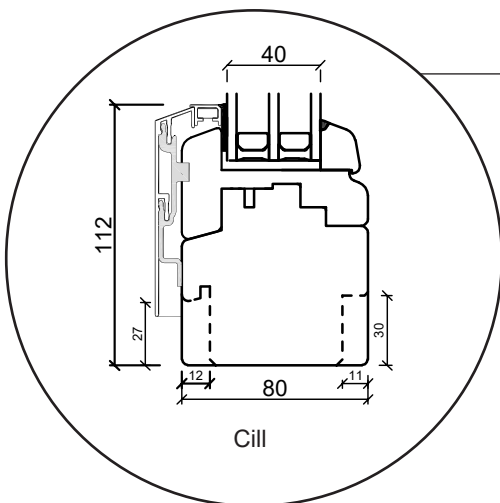
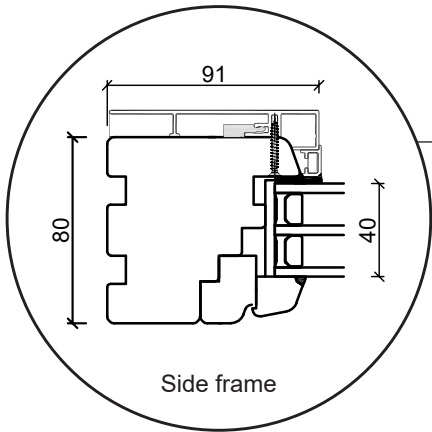
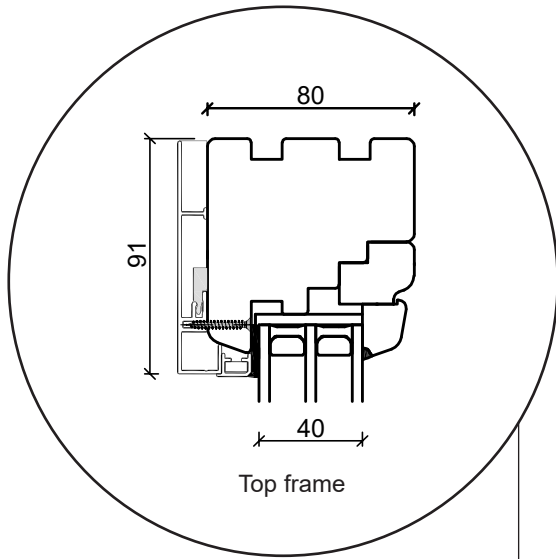
# Tilt & turn window, inward opening

Triple glazing, 80 mm frame depth, wood/Alu



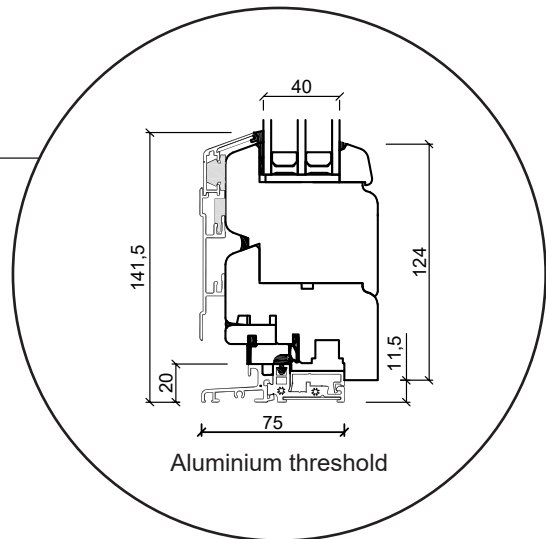
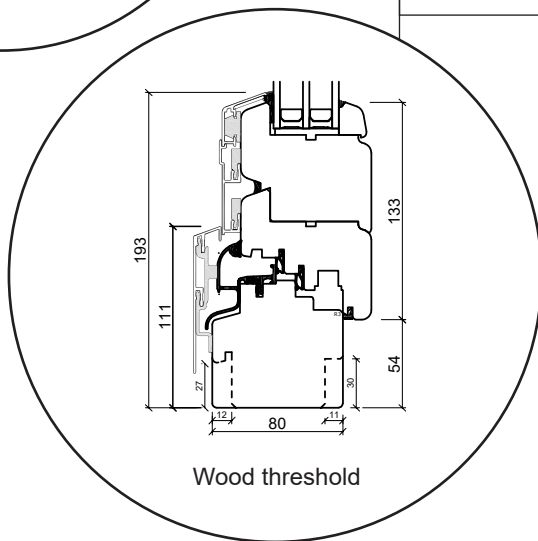
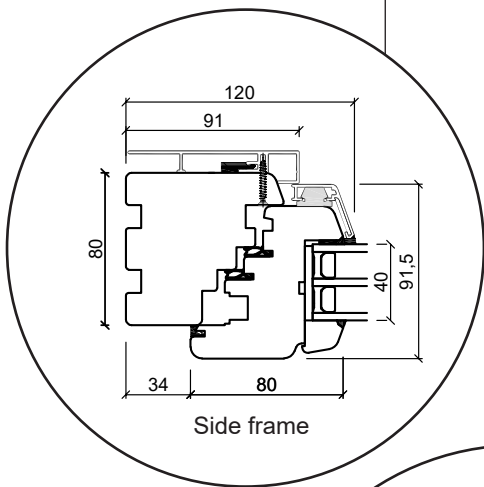
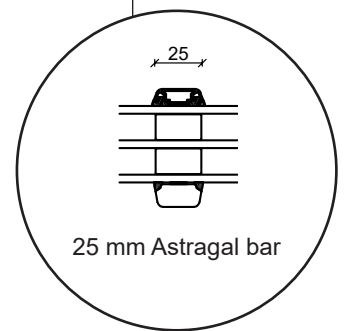
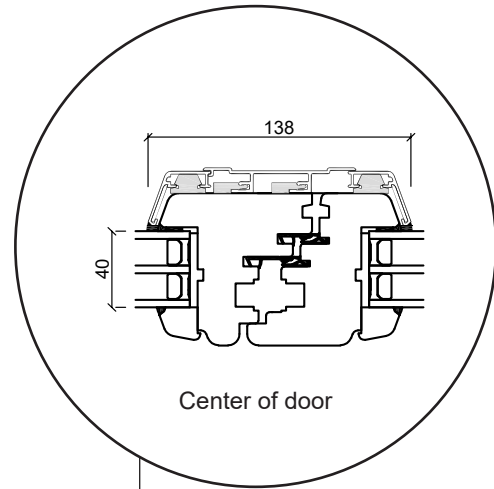
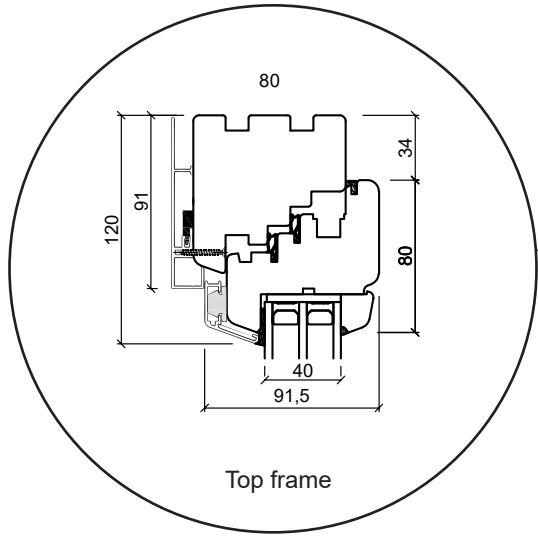
# Fixed window

Triple glazing, 80 mm frame depth, wood/Alu



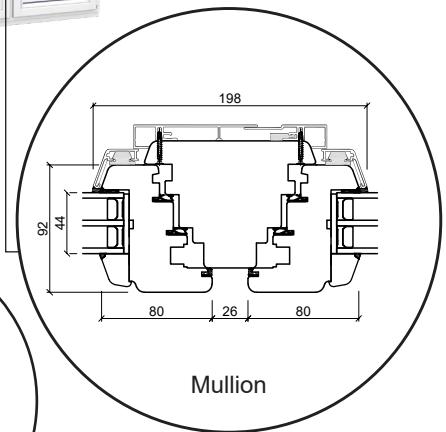
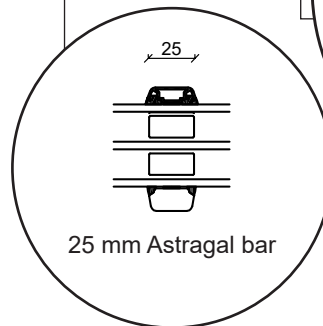
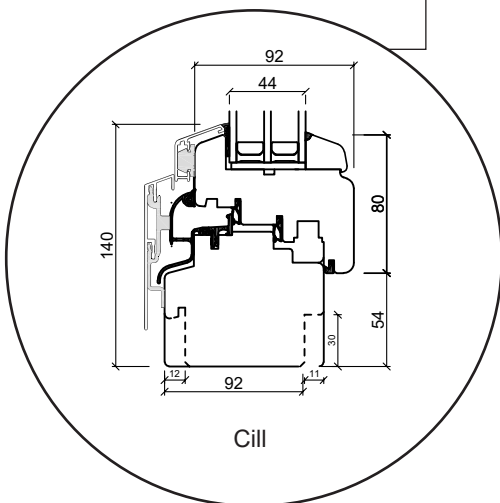
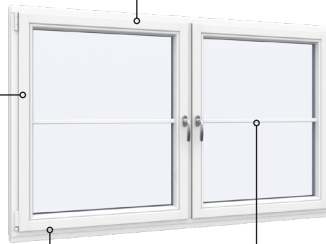
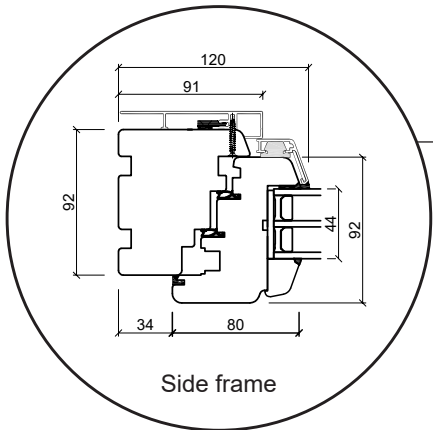
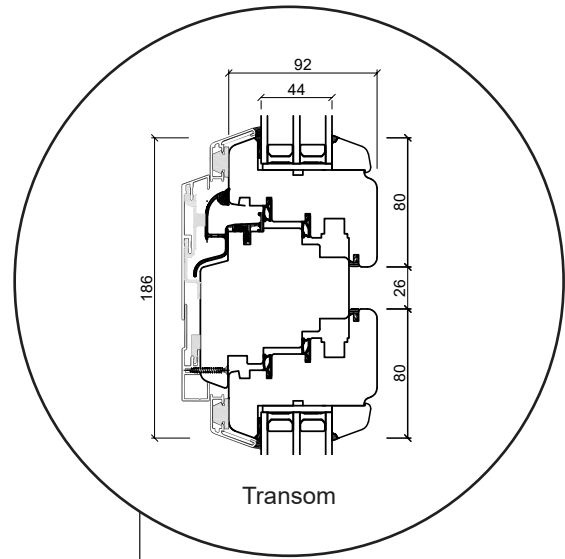
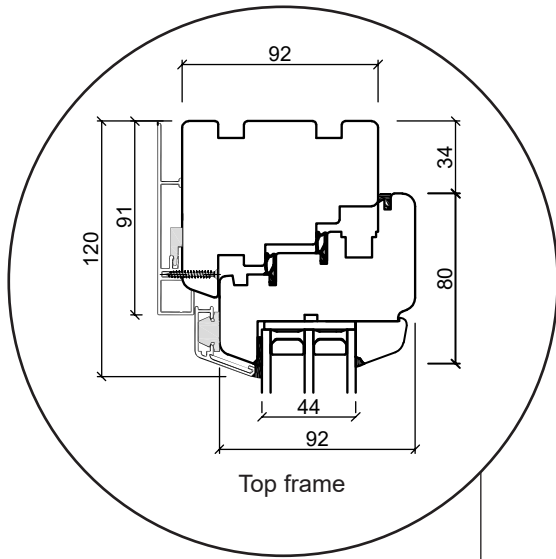
# Tilt & turn balcony door, inward opening

Triple glazing, 80 mm frame depth, wood/Alu



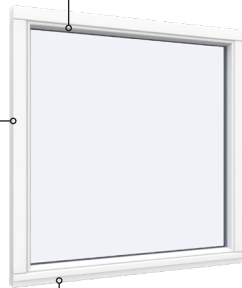
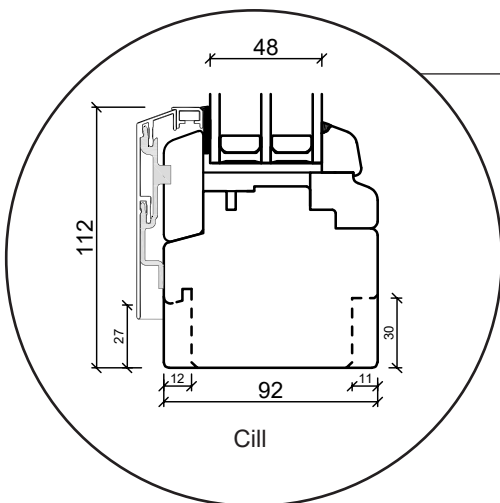
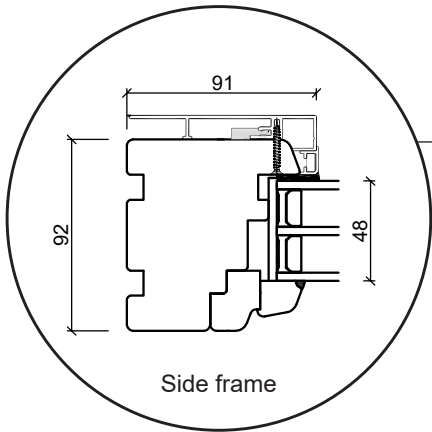
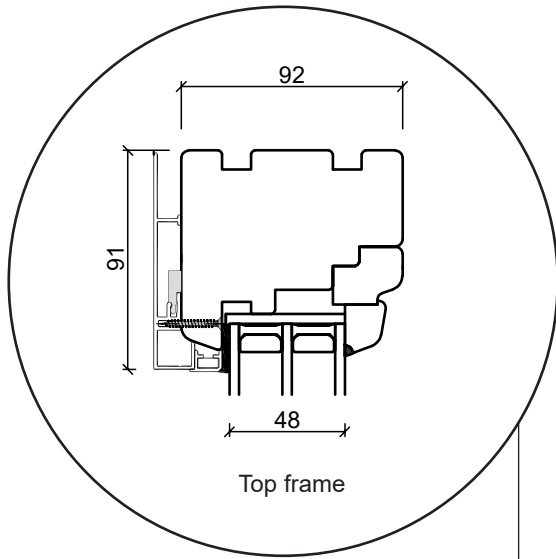
# Tilt & turn window, inward opening

Triple glazing, 92 mm frame depth, wood/Alu



# Fixed window

Triple glazing, 92 mm frame depth, wood/Alu



# Tilt & turn balcony door, inward opening

Triple glazing, 92 mm frame depth, wood/Alu

